

ASCON spa

ISO 9001
Certified

ASCON spa
20021 Bollate
(Milano) Italy
via Falzarego, 9/11
Tel. +39 02 333 371
Fax +39 02 350 4243
<http://www.ascon.it>
e-mail sales@ascon.it

Process Controller with Setpoint Programmer

1/16 DIN - 48 x 48



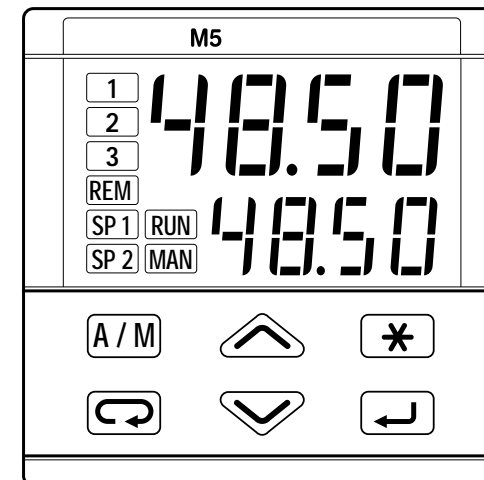
M5 line

User Manual • M.I.U.M5-4/03.01 • Cod. J30-478-1AM5 IE



Process Controller
with Setpoint
Programmer
1/16 DIN - 48 x 48

M5 line





**NOTES
ON ELECTRIC
SAFETY AND
ELECTROMAGNETIC
COMPATIBILITY**

Please, read carefully these instructions before proceeding with the installation of the controller.

Class II instrument, rear panel mounting.

This controller has been designed with compliance to:

Regulations on electrical apparatus (appliance, systems and installations) according to the European Community directive 73/23 CEE amended by the European Community directive 93/68 CEE and the Regulations on the essential protection requirements in electrical apparatus EN 61010-1 (IEC 1010 - 1) : 90 +A1:92 + A2:95.

Regulations on Electromagnetic Compatibility according to the European Community directive n089/336/CEE, amended by the European Community directive n° 92/31/CEE and the following regulations:

Regulations on RF emissions

EN50081 - 2 for industrial environments

Regulation on RF immunity

EN50082-2 for industrial equipment and system

It is important to understand that it's responsibility of the installer to ensure the compliance of the regulations on safety requirements and EMC.

The device has no user serviceable parts and requires special equipment and specialised engineers. Therefore, a repair can be hardly carried on directly by the user. For this purpose, the manufacturer provides technical assistance and the repair service for its Customers.

Please, contact your nearest Agent for further information.


All the information and warnings about safety and electromagnetic compatibility are marked with the  sign, at the side of the note.

TABLE OF CONTENTS

1	INTRODUCTION	PAGE	4
	1.1 PRODUCT CODING.....	PAGE	5
2	INSTALLATION	PAGE	6
	2.1 DESCRIPTION.....	PAGE	6
	2.2 OPERATING CONDITIONS.....	PAGE	7
	2.3 INSTALLATION.....	PAGE	7
3	ELECTRICAL CONNECTIONS	PAGE	8
	3.1 TERMINATION UNIT.....	PAGE	8
	3.2 CABLING LAYOUT.....	PAGE	8
	3.3 ELECTRICAL CONNECTIONS.....	PAGE	9
4	OPERATIONS	PAGE	15
	4.1 FRONT PANEL.....	PAGE	15
	4.2 CONFIGURATION.....	PAGE	16
	4.3 PARAMETER SETTING.....	PAGE	20
	4.4 ACCESS LEVELS.....	PAGE	27
5	DISPLAYS	PAGE	29
6	COMMANDS	PAGE	30
	6.1 COMMANDS FROM KEYBOARD.....	PAGE	31
	6.2 COMMANDS FROM DIGITAL INPUTS.....	PAGE	33
	6.3 COMMANDS FROM SERIAL COMMUNICATION (PLEASE, REFER THE ADDENDUM ON THE SERIAL COMMUNICATION)		
7	SETPOINT PROGRAMMER (OPTIONAL)	PAGE	34
	7.1 PROGRAM ORGANISATION.....	PAGE	34
	7.2 OPERATING CONDITIONS.....	PAGE	36
	7.3 PROGRAM INPUT AND EDITING.....	PAGE	37
	7.4 RUN/STOP OF A PROGRAM.....	PAGE	38
8	TECHNICAL SPECIFICATIONS	PAGE	39

1 INTRODUCTION

POWERFUL FEATURES AND A WIDE RANGE OF FUNCTIONALITIES

Congratulations for having chosen these universal controllers. They are the best result of our experience in designing and manufacturing of smart, powerful and high reliable controllers.

The process controllers of the M5 series have been designed for the industrial environment, are provided with a complete set of functions, as a true universal instrument.

They can be used as Controllers-Programmers with 1 Setpoint profile of 16 segments.

Resources

Main universal input

6 TC Pt100 ΔT mA V Custom PV


Auxiliary input (option)

POT. REM mA REM V AUX

Two digital inputs

IL1 IL2

Memory Chip
Data Copy/Data Store (option)



M5

OP1 OP2 OP3 OP4 (option)

Setpoint

LOC 2 MEM REM 1x16s

Digital inputs (IL1, IL2) functions




2 MEM REM RUN HOLD PV SP SLOPE

Modbus RS485
Parameterisation Supervision (option)

Tuning

One shot Auto tuning Adaptive

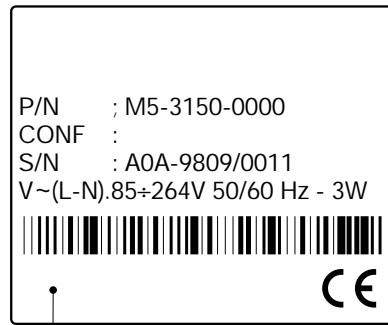
Operating mode

	Control	Alarms			Retransmission
					
		PV/SP			
1	Single action	OP1		OP2 OP3	OP4
2	Single action	OP4	OP1 OP2 OP3		
3	Double action	OP1 OP2		OP3	OP4
4	Double action	OP1 OP4	OP2 OP3		
5	Double action	OP4 OP2	OP1	OP3	
6	Valve	OP1 OP2		OP3 OP4	

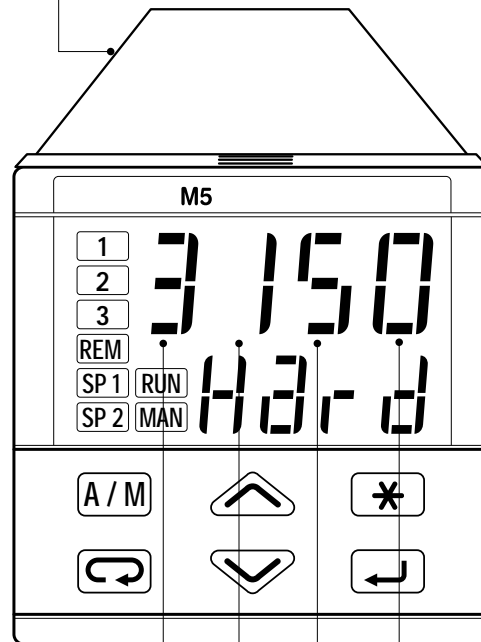
1.1 PRODUCT CODING

The complete code is displayed on the instrument label.

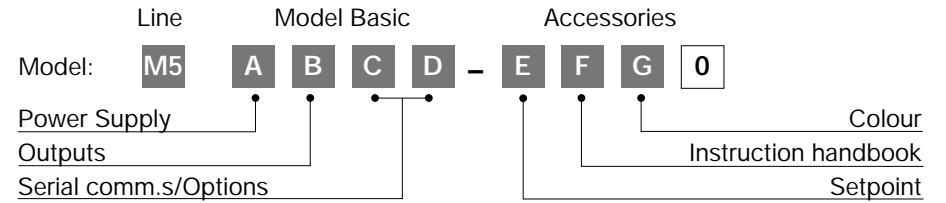
The information about product coding are accessible from the front panel by mean of a particular procedure described at section 5.1 pag 29



Instrument label



Basic product code



Power Supply	A
100 - 240V~ (- 15% + 10%)	3
24V~ (- 25% + 12%) or 24V- (- 15% + 25%)	5

Outputs OP1 (OP2)	B
Relay - Relay	1
Relay - Triac	2
Triac - Relay	4
Triac - Triac	5

Serial Comms.	Options	C	D	
Not fitted	None [2]	0	0	
	Auxiliary Input	Feedback potentiometer [2]	0	1
		Remote Setpoint [1]	0	2
		Current Transformer	0	3
	Auxiliary Output	SSR drive/analogue	0	4
SSR drive/analogue + Remote Setpoint [1] [2]		0	5	
RS485 Modbus/Jbus protocol	None [2]	5	0	
	Auxiliary Input	Feedback potentiometer [2]	5	1
		Remote Setpoint [1]	5	2
		Current Transformer	5	3
	SSR drive/analogue auxiliary output	5	4	

[1] Not available with Setpoint programmer installed (E = 1)

[2] Second digital input (IL2) not available


Setpoint Programmer	E
Not fitted	0
Fitted	1

Front panel Colour	G
Dark (std)	0
Beige	1

Instruction handbook	F
Italian-English (std)	0
French-English	1
German-English	2
Spanish-English	3

2 INSTALLATION

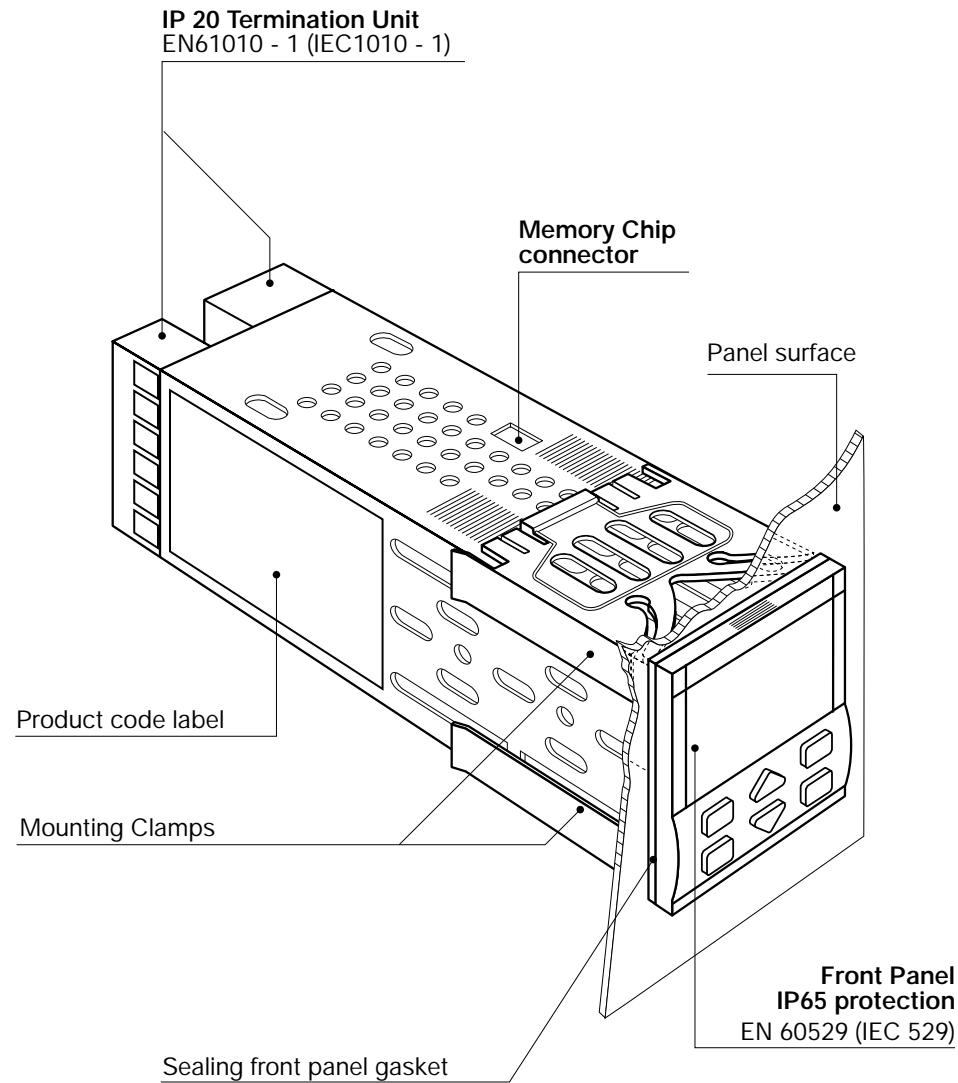
Installation must only be carried out by qualified personnel.

Before proceeding with the installation of this controller, follow the instructions illustrated in this manual and, particularly the installation precautions marked with the  symbol, related to the European Community directive on electrical protection and electromagnetic compatibility.

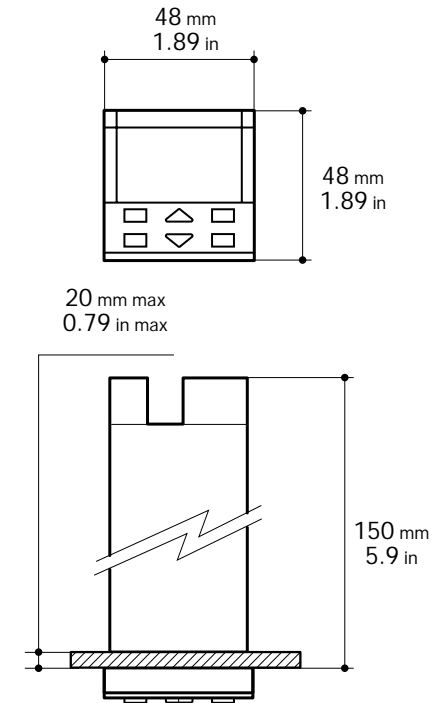


To prevent hands or metal touching parts that may be electrically live, the controllers must be installed in an enclosure and/or in a cubicle.

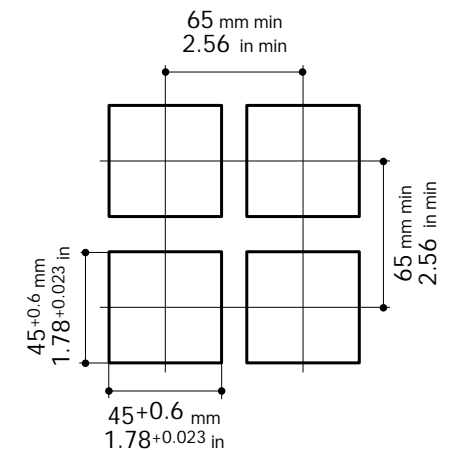
2.1 INSTALLATION DESCRIPTION



2.1.1 DIMENSIONAL DETAILS





2.1.2 PANEL CUT-OUT



2.2 ENVIRONMENTAL RATINGS


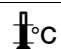



Operating Conditions



 2000	Altitude up to 2000 m
 °C	Temperature 0...50°C
%Rh	Relative Humidity 5...95 %Rh non-condensing

Special Conditions

Suggestions

 2000	Altitude > 2000 m	Use 24V~ supply version
 °C	Temperature >50°C	Use forced air ventilation
%Rh	Humidity > 95 %Rh	Warm up
	Conducting atmosphere	Use filters

Forbidden Conditions 

	Corrosive atmosphere
	Explosive atmosphere

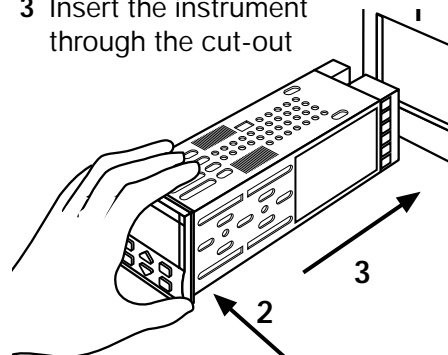
UL note

[1] For Use on a Flat Surface of a Type 2 and Type 3 'raintight' Enclosure.

2.3 PANEL MOUNTING [1]

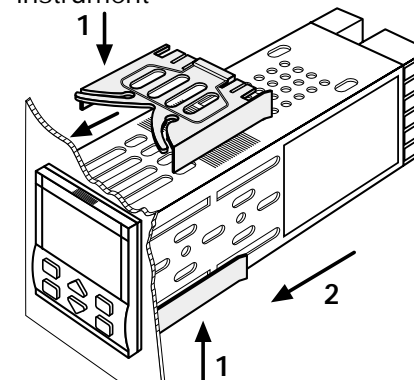
2.3.1 INSERT THE INSTRUMENT

- 1 Prepare panel cut-out
- 2 Check front panel gasket position
- 3 Insert the instrument through the cut-out



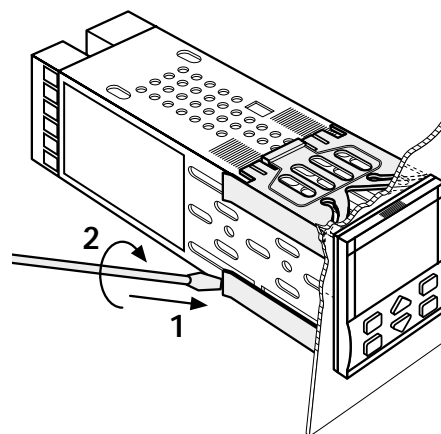
2.3.2 INSTALLATION SECURING

- 1 Fit the mounting clamps
- 2 Push the mounting clamps towards the panel surface to secure the instrument



2.3.3 CLAMPS REMOVING

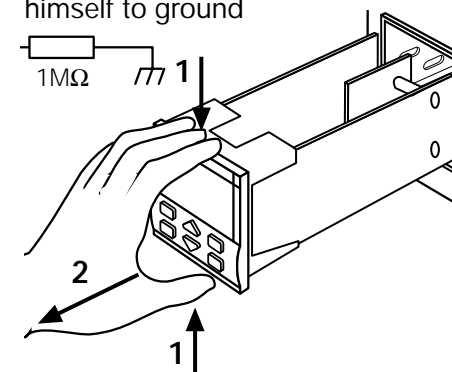
- 1 Insert the screwdriver in the clips of the clamps
- 2 Rotate the screwdriver



2.3.4 INSTRUMENT UNPLUGGING



- 1 Push and
 - 2 Pull to remove the instrument
- Electrostatic discharges can damage the instrument
Before removing the instrument the operator must discharge himself to ground



3 ELECTRICAL CONNECTIONS

PRECAUTIONS



Despite the fact that the instrument has been designed to work in an harsh and noisy environmental (level IV of the industrial standard IEC 801-4), it is strongly recommended to follow the following suggestions.



All the wiring must comply with the local regulations.

The supply wiring should be routed away from the power cables. Avoid to use electromagnetic contactors, power relays and high power motors nearby. Avoid power units nearby, especially if controlled in phase angle

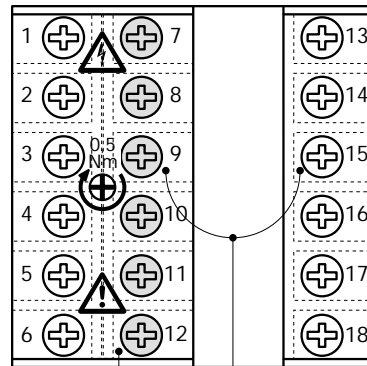
Keep the low level sensor input wires away from the power lines and the output cables.

If this is not achievable, use shielded cables on the sensor input, with the shield connected to earth.

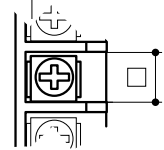
UL note

[1] Use 60/70 °C copper (Cu) conductor only.

3.1 TERMINATION UNIT [1]



Rear terminal covers



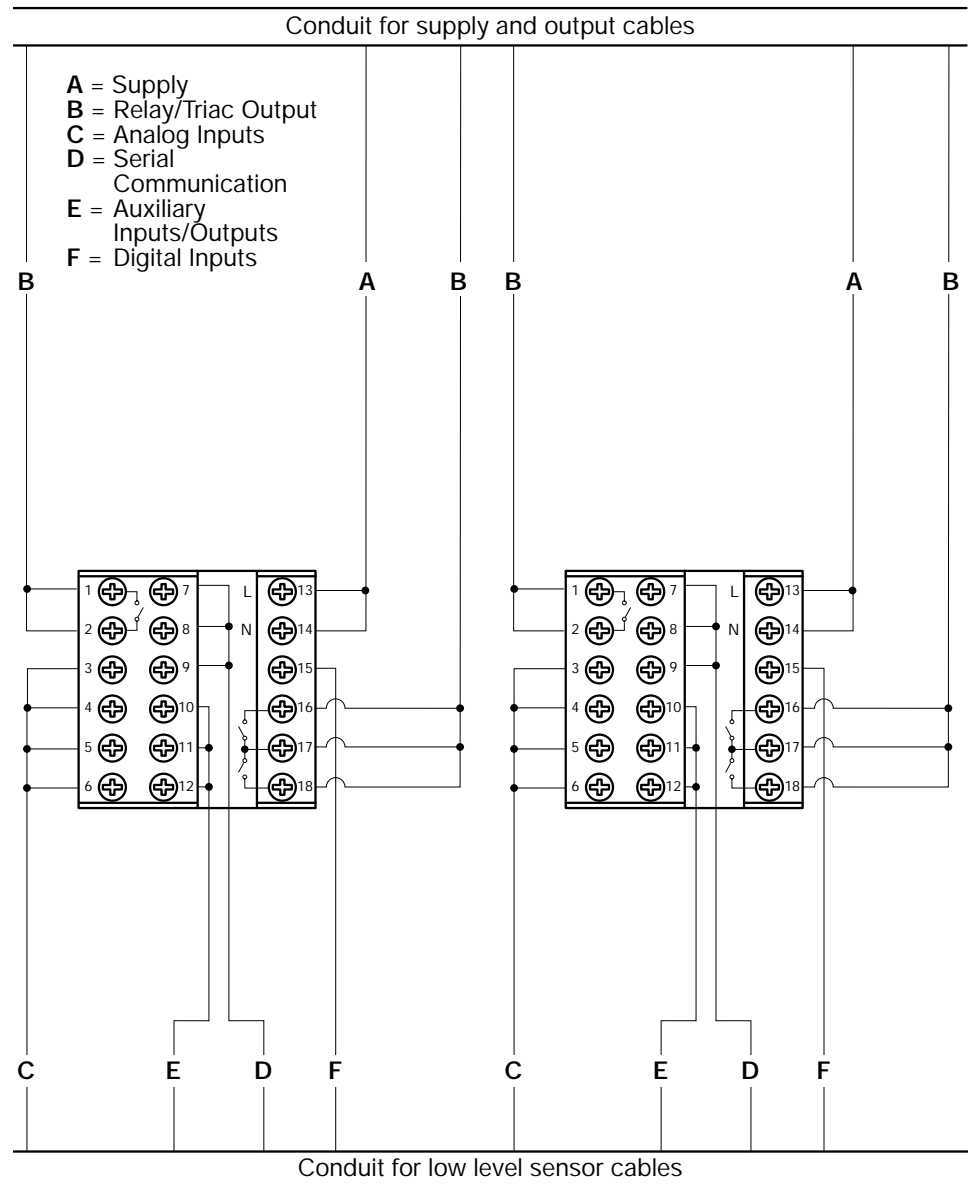
5.7 mm
0.22 in
Cable size
1 mm²
18 AWG

- 18 screw terminals
- Option terminals
- Holding screw 0.5 Nm
- Positive screw driver PH1
- Negative screw driver 0,8 x 4 mm

Terminals

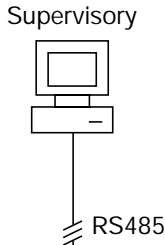
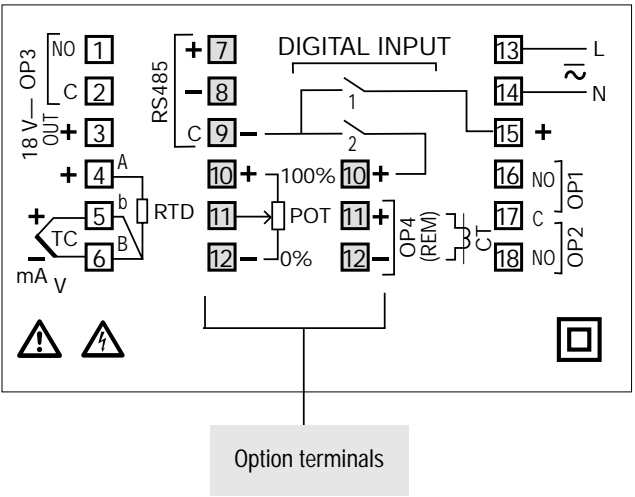
- Pin connector \varnothing 1.4 mm
0.055 in max
- Fork-shape AMP 165004
 \varnothing 5.5 mm - 0.21 in
- Stripped wire
L 5.5 mm - 0.21 in

3.2 RECOMMENDED ROUTING OF WIRES





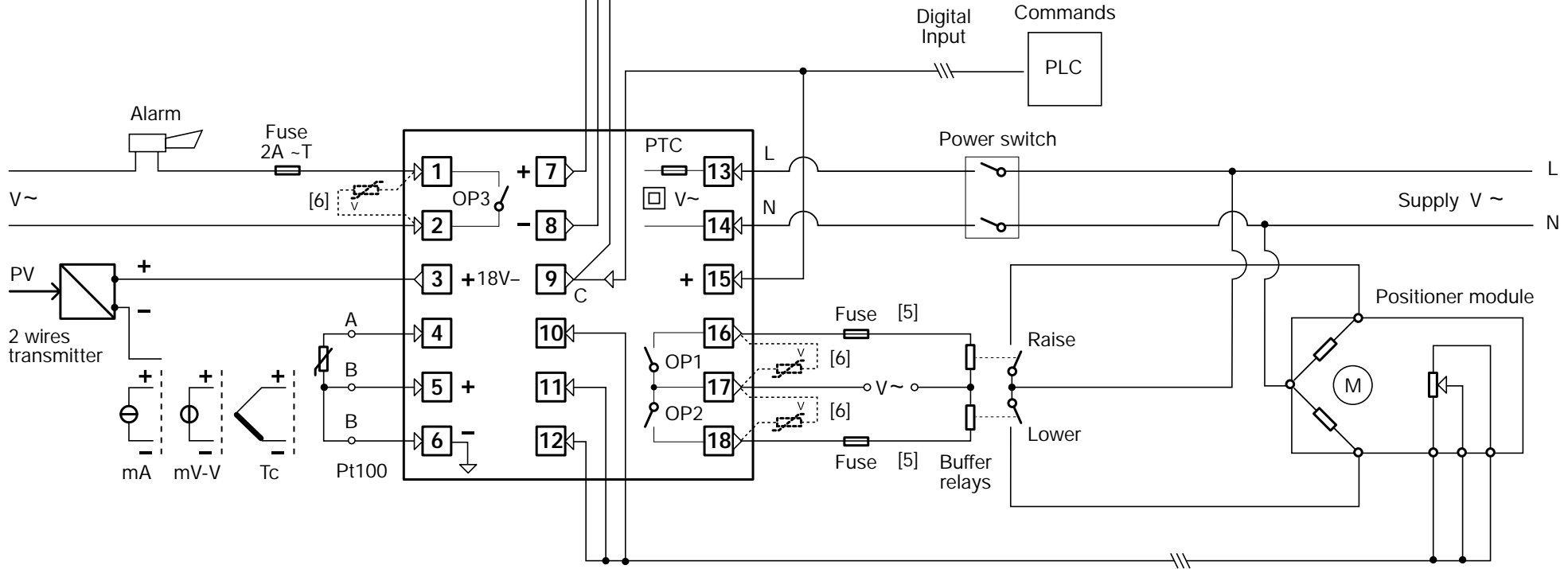
3.3 TYPICAL INSTRUMENT WIRING (valve control)



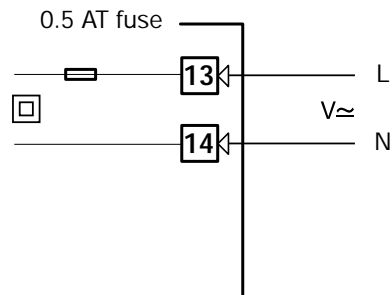
Notes:

- 1) Make sure that the power supply voltage is the same indicated on the instrument.
- 2) Switch on the power supply only after that all the electrical connections have been completed.
- 3) In accordance with the safety regulations, the power supply switch shall bring the identification of the relevant instrument. The power supply switch shall be easily accessible from the operator.

- 4) The instrument is PTC protected. In case of failure it is suggested to return the instrument to the manufacturer for repair.
 - 5) To protect the instrument internal circuits use:
 - 2 A ~ T fuses for Relay outputs
 - 1 A ~ T fuses for Triac outputs
 - 6) Relay contacts are already protected with varistors.
- Only in case of 24 V ~ inductive loads, use model A51-065-30D7 varistors (on request)**



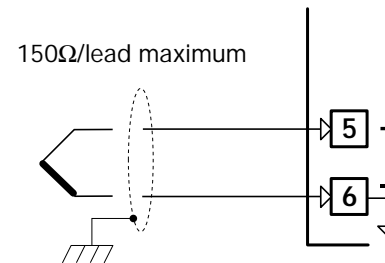
3.3.1 POWER SUPPLY



Switching power supply with multiple isolation and internal fuse

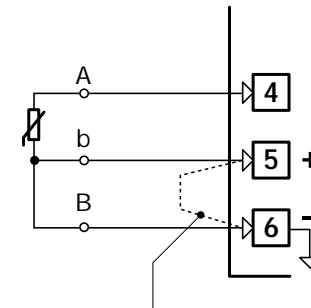
- **Standard version:**
nominal voltage:
100 - 240V \sim (-15% + 10%)
Frequency 50/60Hz
- **Low Voltage version:**
Nominal voltage:
24V \sim (-25% + 12%)
Frequency 50/60Hz
or 24V- (-15% + 25%)
- Power consumption 3 VA max

3.3.2 PV CONTROL INPUT



A For JLT K S R thermocouple type

- Use always compensation cable of the correct type for the thermocouple used
- Use always compensation cable of the correct type for the thermocouple used
- The shield, if present, must be connected to a proper earth.

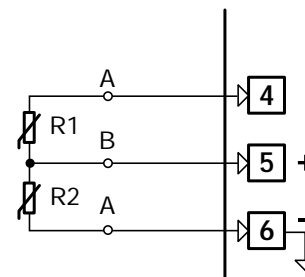


When using a 2 wire system, put a jumper between terminals 5 and 6

B For PT100 resistance thermometer

- If a 3 wire system is used, use always cables of the same diameter (1mm² min).
20Ω/lead maximum resistance
- If a 2 wire system is used, use always cables of the same diameter (1.5mm² min).

⚠ When the distance between the controller and the sensor is 15 meters, using a cable of 1.5mm² diameter, produces an error in the measure of 1°C .

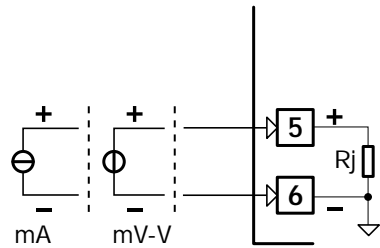


B1 For ΔT (2x Pt100)

- Use wires of the same length
20Ω/lead maximum resistance.

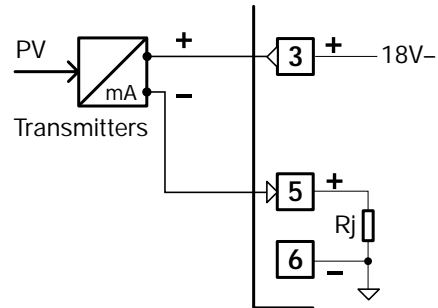
R1 + R2 must be <320Ω

3.3.2 PV CONTROL INPUTS (cont.)



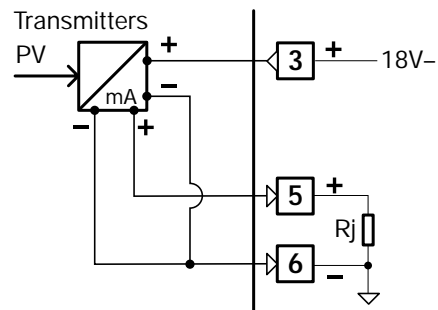
C For DC input

Input resistance = 30Ω for mA
 Input resistance = $10M\Omega$ for mV
 Input resistance = $10K\Omega$ for Volt



C1 For 2 wires transmitters

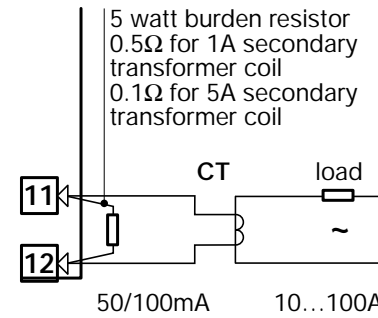
- Power supply to the transmitter
 $18V \pm 10\%$
 30mA max
 Input resistance = 30Ω



C2 For 3 or 4 wires transmitters

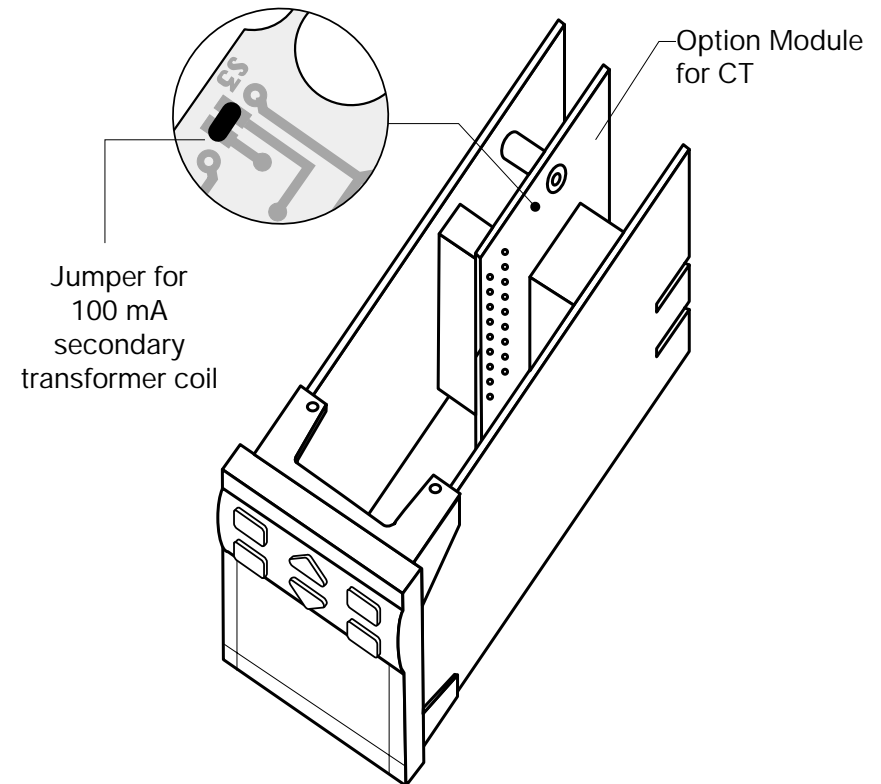
- Power supply to the transmitter
 $18V \pm 10\%$
 30mA max
 Input resistance = 30Ω

3.3.3 AUXILIARY INPUTS (OPTION)



A For current transformer CT
 for the measure of the load current

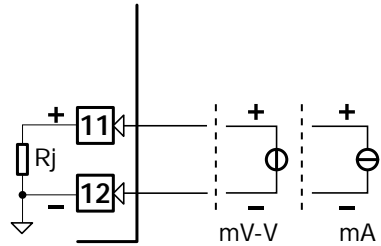
- Primary coil 10A...100A
- Secondary coil 50 mA default
 100mA jumper selectable



3.3.3 AUXILIARY INPUTS (cont.)



⚠ If the analogue input is provided, the terminals for the Remote Setpoint are 10(+) and 9(-)



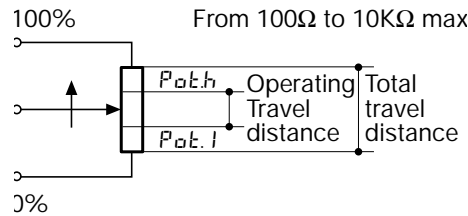
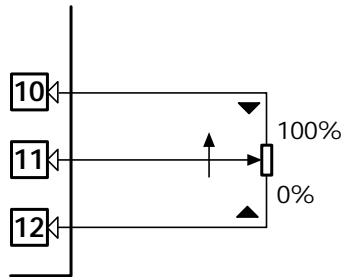
B From Remote Setpoint

Current
0/4...20mA
Input resistance = 30Ω

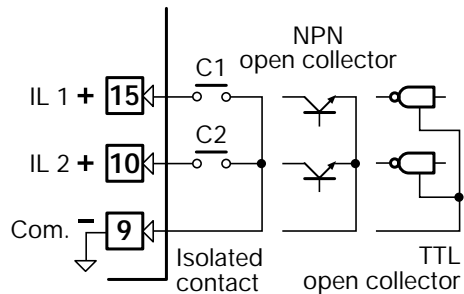
Voltage
1...5V, 0...5V, 0...10V
Input resistance = 300KΩ

C From Position Potentiometer

To read the real position of the motor or the valve



3.3.4 DIGITAL INPUTS



- The associated function is active when the digital input is ON (see table on page 33)
- The second digital input (IL2) is available only with the following options:
Remote Setpoint (D = 2)
Current transformer (D = 3)
SSR drive / analogue output (D = 4)

3.3.5 OP1 OP2 OP3 AND OP4 OUTPUTS



The functionality associated to each of the OP1 OP2 OP3 and OP4 outputs is defined during the configuration of the instrument. The possible choices are:

		Control		Alarms			Retransm. PV-SP
1	Single action	OP1 Heat			OP2	OP3	OP4-C
2	Single action	OP4 Heat		OP1	OP2	OP3	
3	Double action	OP1 Heat	OP2 Cool			OP3	OP4-C
4	Double action	OP1 Heat	OP4 [1] Cool		OP2 [2]	OP3	
5	Double action	OP4 [1] Heat	OP2 Cool	OP1 [2]		OP3	
6	Valve	OP1 Raise	OP2 Lower			OP3	OP4-C

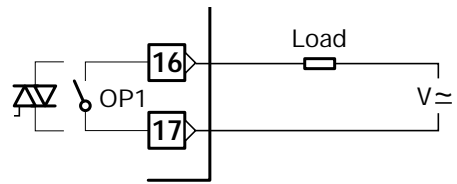
where:

OP1 - OP2	Relay or Triac output
OP3	Relay output
OP4	Analogue or SSR drive output
OP4-C	Analogue output

Note

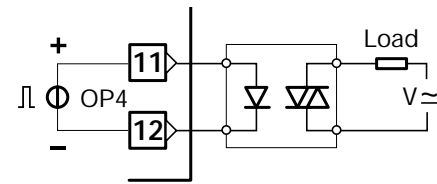
- [1] In case of OP4 analogue output, its status is not visualised by any red led
- [2] When the OP4 SSR drive output is selected, the status of OP1 and OP2, as alarms, is not displayed by any red led

3.3.5-A SINGLE RELAY
OUTPUT (TRIAC)



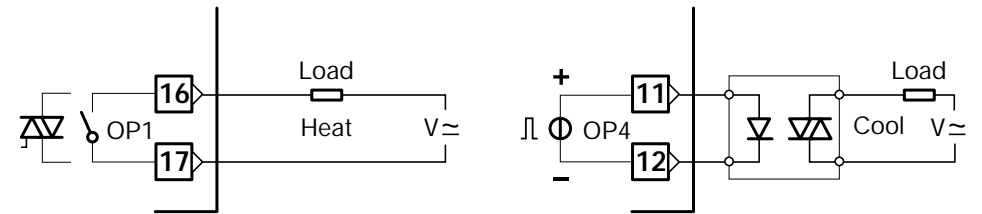
1 NO contact

3.3.5-B SINGLE SSR DRIVE
OUTPUT (OPTION)

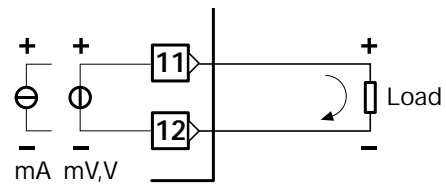


Output 0...22V- ±20% (20mA max)
galvanic isolated

3.3.5-F HEAT COOL OUTPUT RELAY (TRIAC)/SSR DRIVE (OPTION)

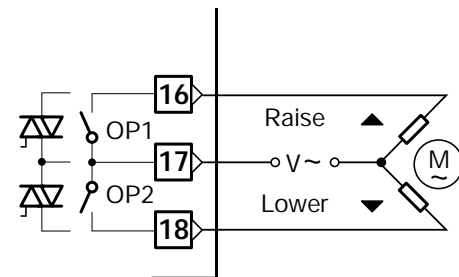


3.3.5-C SINGLE ANALOGUE
OUTPUT (OPTION)



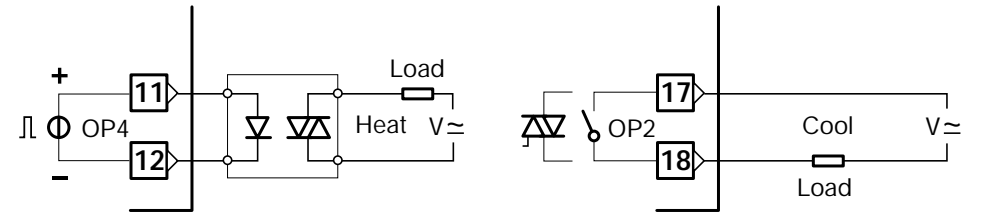
galvanic isolated
500 V~/ 1min
750Ω / 15V max if current output
500Ω / 20mA max if voltage output

3.3.5-D VALVE OUTPUT

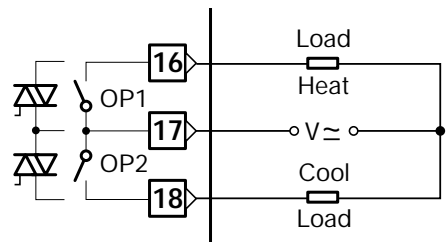


3 pole output with NO contacts
(raise, lower, stop)

3.3.5-G HEAT COOL OUTPUT SSR DRIVE (OPTION)/RELAY (TRIAC)

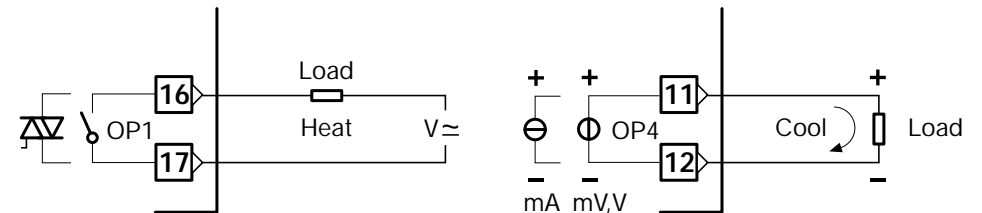


3.3.5-E HEAT COOL OUTPUT RELAY/RELAY (TRIAC/TRIAC)

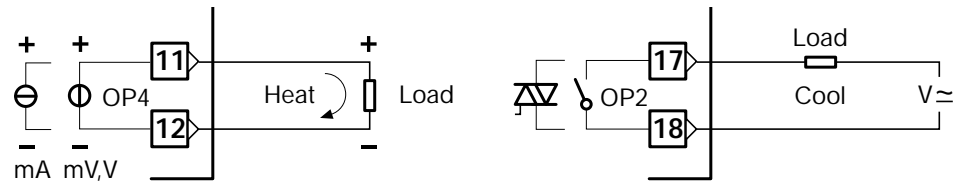


2 NO contacts

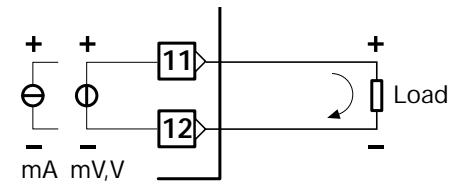
3.3.5-H HEAT COOL OUTPUT RELAY (TRIAC)/ANALOGUE (OPTION)



3.3.5-I HEAT COOL OUTPUT DC (OPTION)/RELAY (TRIAC) 

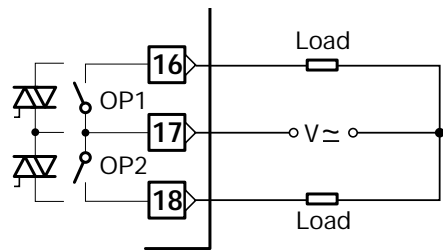


3.3.7 RETRANSMISSION OUTPUT (OPTION) 



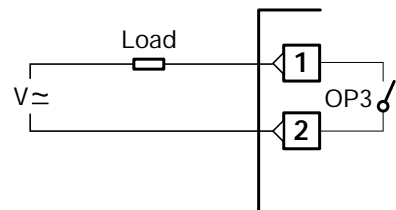
galvanic isolated
 500 V \sim / 1min
 750 Ω / 15V max if current output
 500 Ω / 20mA max if voltage output
 ⚠ The analogue/SSR drive output OP4 can be used for signal retransmission only if it is not used as control output.

3.3.6 ALARM OUTPUTS OP1, OP2, OP3 



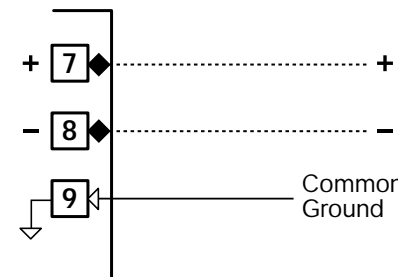
⚠ The relay/triac output OP1, OP2 and OP3, can be used as alarm outputs only if they are not used as control outputs.

2 NO contacts



1 NO contact

3.3.8 SERIAL COMMUNICATION (OPTION) 

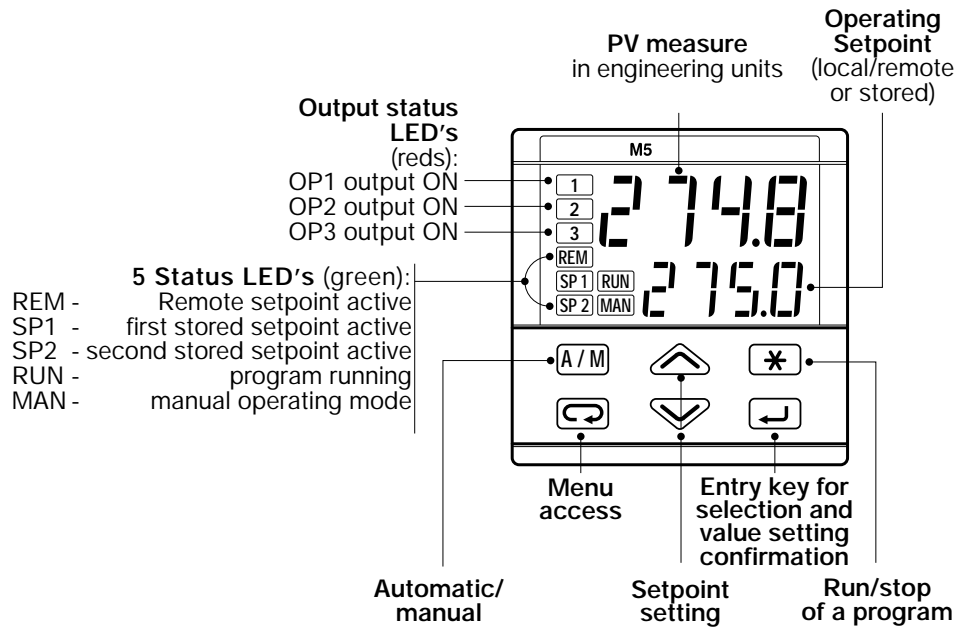


- Galvanic isolation 500V \sim /1 min
 Compliance to the EIA RS485 standard for Modbus/Jbus

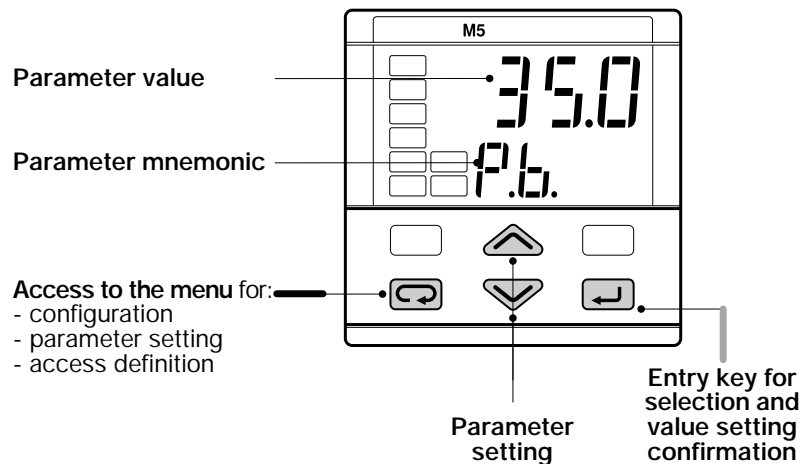
⚠ Please, read: **gammadue**[®] and **deltadue**[®] controller series serial communication and configuration

4 OPERATION

4.1.A KEYS FUNCTION AND DISPLAY IN OPERATOR MODE



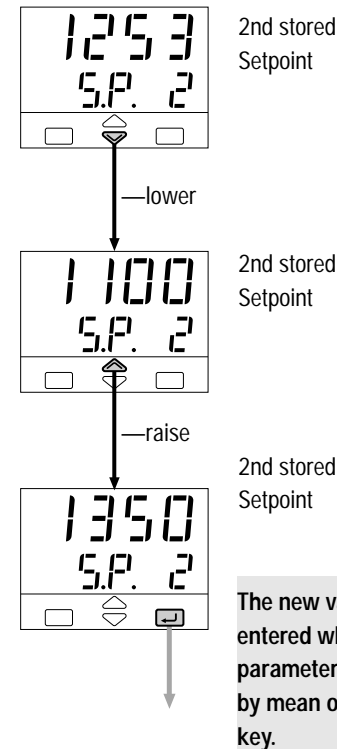
4.1.B KEYS FUNCTION AND DISPLAY IN PROGRAMMING MODE



4.1.1 NUMERIC ENTRY

(i.e. the modification of the value of a stored Setpoint from 275.0 to 240.0)

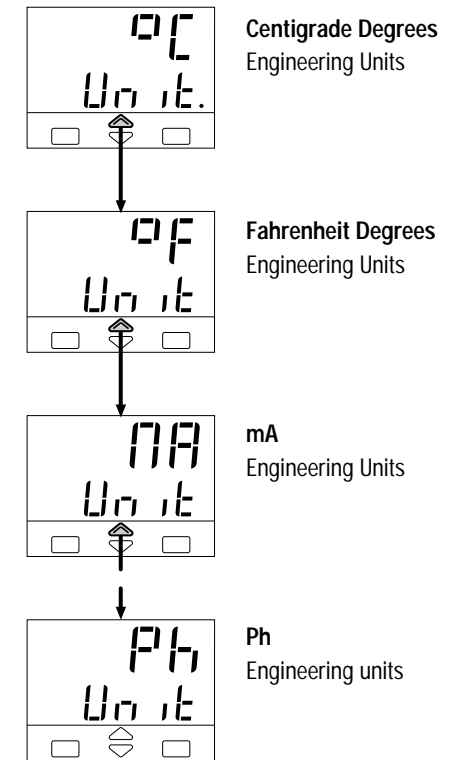
Press or momentarily to change the value of 1 unit every push. Continued pressing of or changes the value, at rate that doubles every second. Releasing the button the rate of change decreases. In any case the change of the value stops when it has reached the max/min limit set for the parameter.



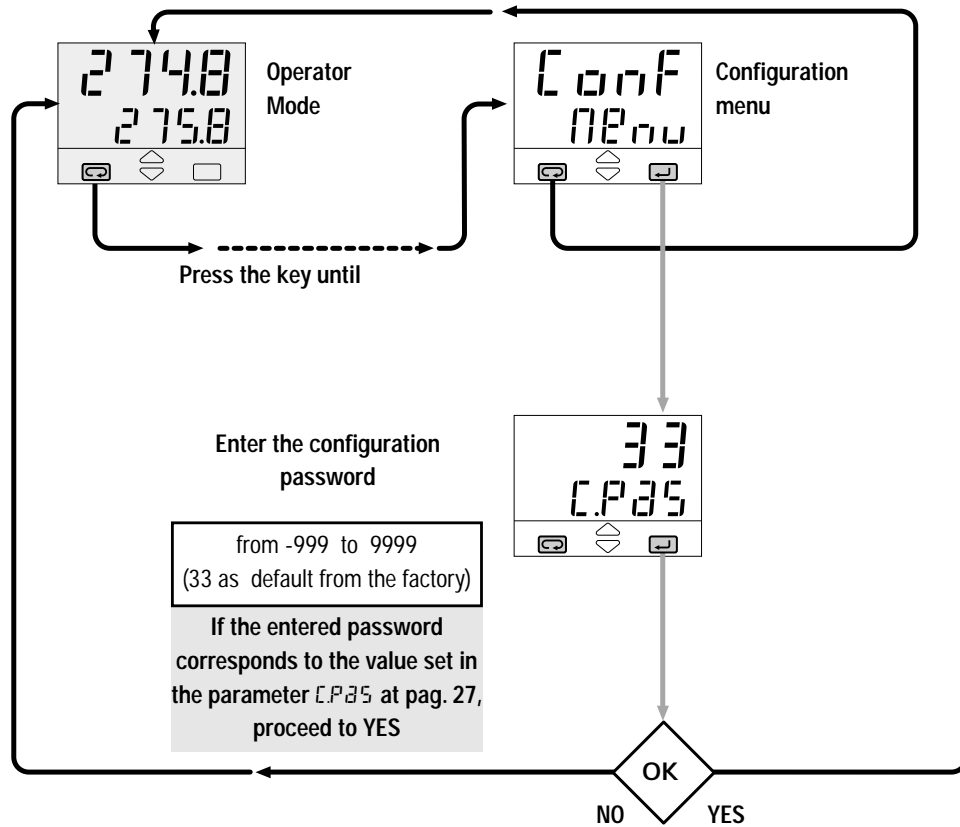
4.1.2 MNEMONIC SETTING

(Way to modified configuration page 16 / 18)

Press the or to display the next or previous mnemonic for the selected parameter. Continued pressing of or will display further mnemonics at a rate of one mnemonic every 0.5 sec. The mnemonic displayed at the time the next parameter is selected, is the one stored in the parameter.

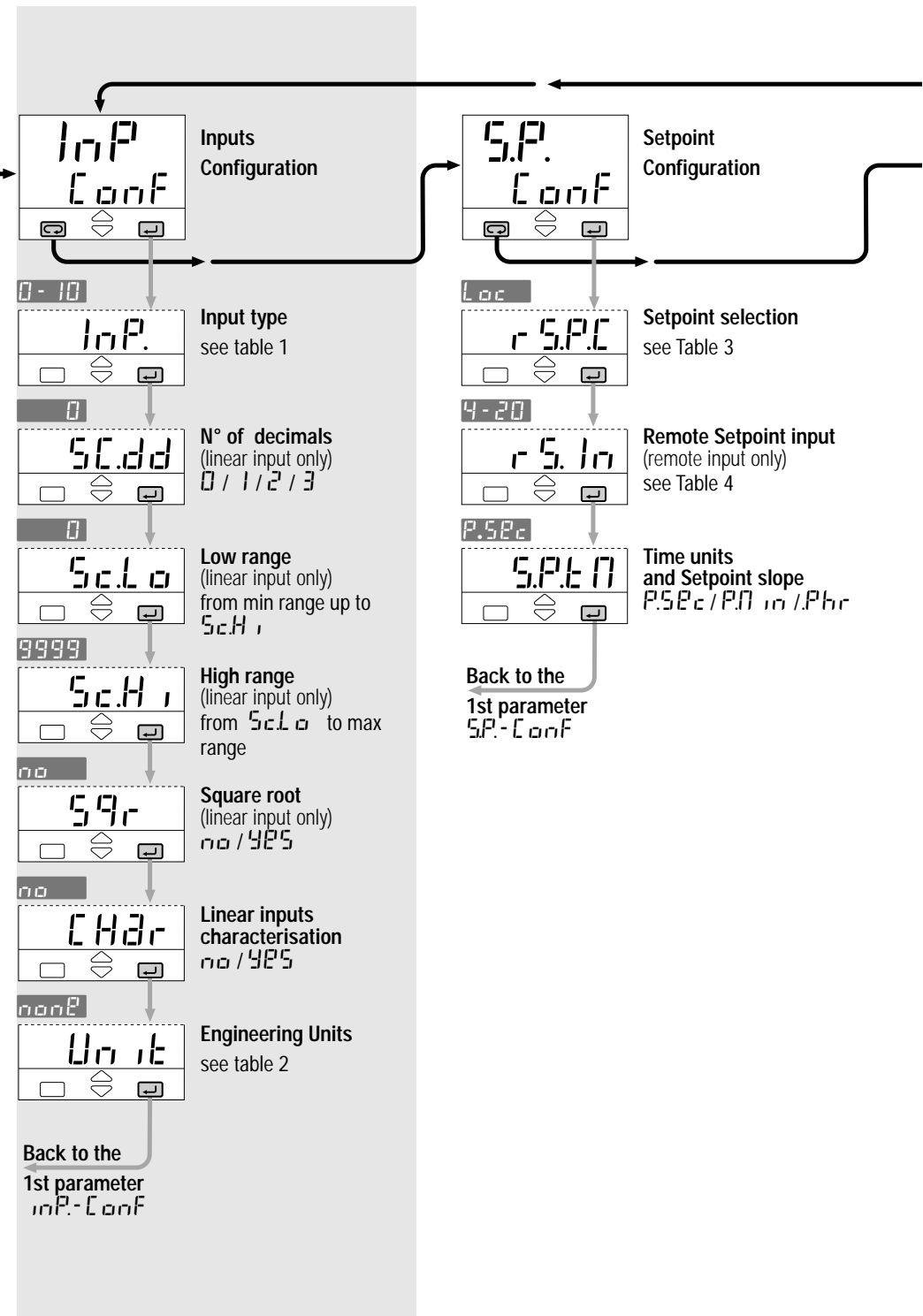


4.2 CONFIGURATION PROCEDURE



If the configured hardware option is not installed, the display shows an hardware error message

	100	Analog output not installed
	101	Current transformer not installed
	102	Remote Setpoint input not installed
	103	Potentiometer input not installed
	104	Analogue output + Remote Setpoint not installed



CONFIGURATION MENU

Out Conf Output Configuration

0.1t4 Type of Control see Table 5

OFF Heat control output see Table 6

5.0ut Control output safety value OFF / -100...100%

nonE Retransmission output (available for DC output only) nonE / PU / SP.

4-20 Retransmission output type (available for DC output only) see Table 4

rtLo Retransmission low range whole range

9999 Retransmission high range whole range

OFF Cool control output see Table 7

Back to the 1st parameter of **Out - Conf**

L.inP Conf Digital inputs configuration

OFF IL1 function see Table 8

OFF IL2 function see Table 8

Back to the 1st parameter of **L.inP - Conf**

ALN Conf Alarms configuration

OFF AL1 alarm type see Table 9

OP1 AL1 addressing (not available when AL1 is OFF) OP1 / OP2 / OP3

no AL1 latching (not available when AL1 is OFF) no / YES

no AL1 start-up disabling (not available when AL1 is OFF) no / YES

OFF AL2 alarm type see Table 9

OP1 AL2 addressing (not available when AL2 is OFF) OP1 / OP2 / OP3

no AL2 latching (not available when AL2 is OFF) no / YES

no AL2 start-up disabling (not available when AL2 is OFF) no / YES

OFF AL3 alarm type see Table 9

OFF AL3 addressing (not available when AL3 is OFF) OP1 / OP2 / OP3

OP1 AL3 latching (not available when AL3 is OFF) no / YES

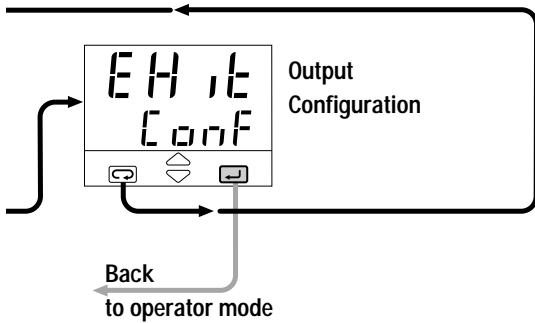
no AL3 start-up disabling (not available when AL3 is OFF) no / YES

no AL4 alarm type see Table 9

OFF AL4 addressing (not available when AL4 is OFF) OP1 / OP2 / OP3

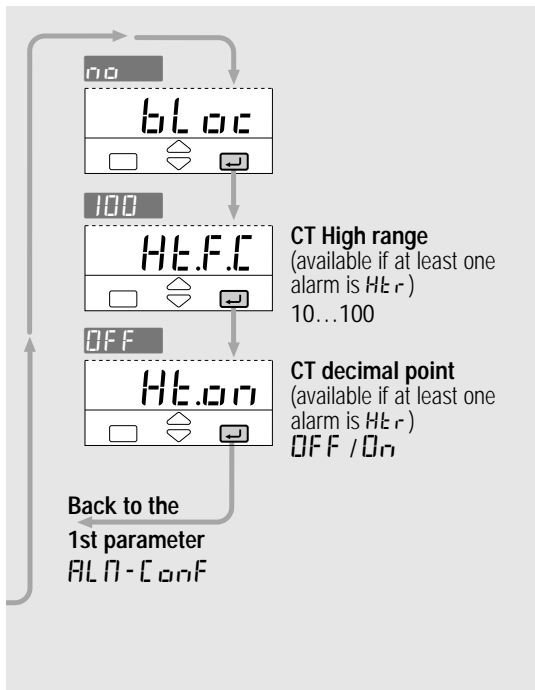
OP1 AL4 latching (not available when AL4 is OFF) no / YES

no AL4 start-up disabling (not available when AL4 is OFF) no / YES



Tab. 1 Input type		
Value	Description	InP.
tc.d	0...600°C	32...1112°F
tc.L	0...600°C	32...1112°F
tc.H	0...1200°C	32...2192°F
tc.S	0...1600°C	32...2912°F
tc.r	0...1600°C	32...2912°F
tc.t	-200...400°C	-328...752°F
cusE	Custom range on request	
red1	-200...600°C	-328...1112°F
red2	-99.9...300.0°C	-99.9...572.0°F
delt	-50.0...50.0°C	-58.0...122.0°F
mv	0...50 mV	Engineering units
0-5	0...5 Volt	
1-5	1...5 Volt	
0-10	0...10 Volt	
0-20	0...20 mA	
4-20	4...20 mA	

Tab. 2 Engineering units		
Value	Description	Unit
none	None	
C	Centigrade Degrees	
F	Fahrenheit Degrees	
mA	mA	
mV	mV	
V	Volt	
bar	bar	
PSI	PSI	
Rh	Rh	
Ph	Ph	



Tab. 3 Setpoint type		
Value	Description	r S.P.C.
Loc	Local only	
rem	Remote only	
L-r	Local/remote only	
Loc.t	Local - trim	
rem.t	Remote - trim	

Tab. 4 Rem. Setpoint Retransmission		
Value	Description	r S. In
0-5	0...5 Volt	0.r.t.4
1-5	1...5 Volt	
0-10	0...10 Volt	
0-20	0...20 mA	
4-20	4...20 mA	

Tab. 5 Control type		
Value	Description	0 I.t.4
DF.rP	Reverse action	On - Off
DF.d	Direct action	
P.dd	Direct action	P.I.D.
P.dr	Reverse action	
U.d.r	Direct action	Modulating valves
U.r.PU	Reverse action	
H.C.L.n	Linear	Heat/Cool
H.C.O.L	Oil charac.	
H.C.H.2	Water charac.	

Tab. 6 Heat control output		
Value	Description	H.C.O.P
0FF	Not used	
r 1	Relay 1	Digital signal
Lo9	SSR drive	
0-5	0...5 Volt	Analogue signal
1-5	1...5 Volt	
0-10	0...10 Volt	
0-20	0...20 mA	
4-20	4...20 mA	

Tab. 7 Cool control output		
Value	Description	C.C.O.P
0FF	not used	
r 2	relay 2	Digital signal
Lo9	SSR drive	
0-5	0...5 Volt	Analogue signal
1-5	1...5 Volt	
0-10	0...10 Volt	
0-20	0...20 mA	
4-20	4...20 mA	

Tab. 8 Digital Inputs function		
Value	Description	IL 1
0FF	Not used	IL 2
L-r	Local/remote	
Auto	Auto/manual	
S.P.1	1st stored Setpoint	
S.P.2	2nd stored Setpoint	
KEB.1	Keypad	
SL.a.1	S.P. slope disable	
HPU	Measure hold	
r.-H.	Run/stop of a program	

Tab. 9 Alarm type			
Value	Description	AL 1	AL 2
0FF	Not used	AL 3	AL 4
F.S.H	Active high	Absolute	
F.S.L	Active low		
d.P.U.H	Active high	Deviation	
d.P.U.L	Active low		
b.a.n.d	Out active	Band	
HE.r	Active high	Heater Break	
L.b.a	Loop break alarm (AI1 only)		

4.2.1 AL1, AL2, AL3, AL4 ALARMS CONFIGURATION

It is possible to configure up to 4 alarms: AL1, AL2, AL3, AL4 (see pag. 17), selecting, for each of them:

- A** the type and the operating condition of the alarm
(table 9 page 18)
- B** the functionality of the alarm acknowledge (latching) **Ltch**
- C** the start-up disabling (blocking) **bl oc**
- D** the physical output of the alarm
OP1 OP2 OP3

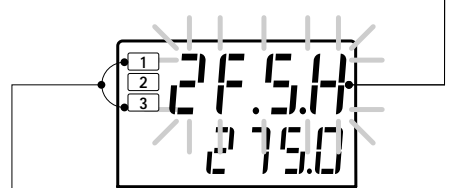
The outputs can be used for alarms if they are not used as control outputs (see par. 3.3.5 page 12)

It is possible to route up to 4 alarm to a single output (OR of the alarms).

Alarm occurrence display

This function can be enabled by the configuration software. (please read the user instruction on the "M5 LINE MODBUS /JBUS PROTOCOL", supplied separately)

The type of alarm is presented flashing, on the front panel in alternation with the PV value.

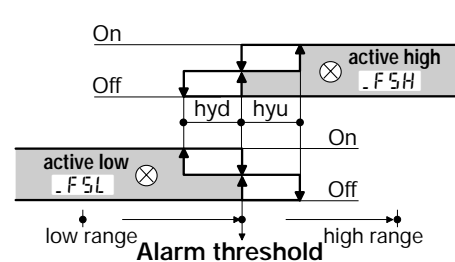


The red led of the activated alarm output is on.

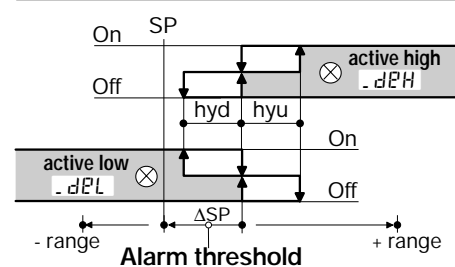
The range of the alarm threshold correspond to the whole span and it is not limited by the SP Setpoint span.

[A] OPERATING CONDITIONS

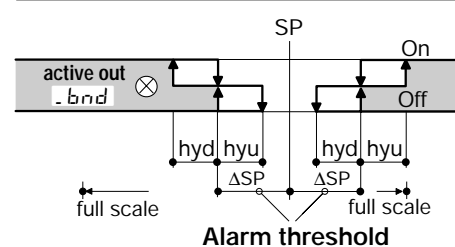
Absolute alarm



Deviation alarm

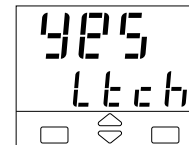


Band alarm



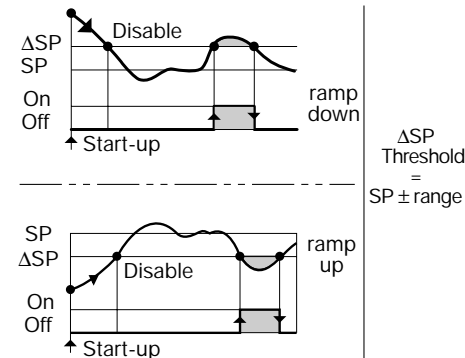
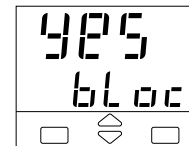
[B] ALARM ACKNOWLEDGE FUNCTION

The alarm, once occurred, is presented on the display until to the time of acknowledge. The acknowledge operation consists in pressing any key.



After this operation, the alarm leaves the alarm state only when the alarm condition is no longer present.

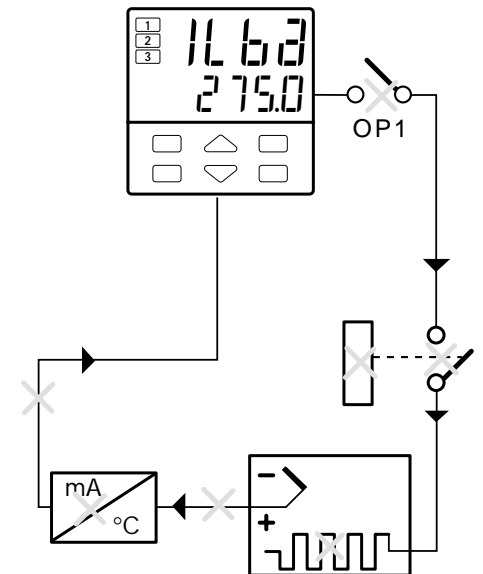
[C] START-UP DISABLING



[D] LOOP BREAK ALARM LBA

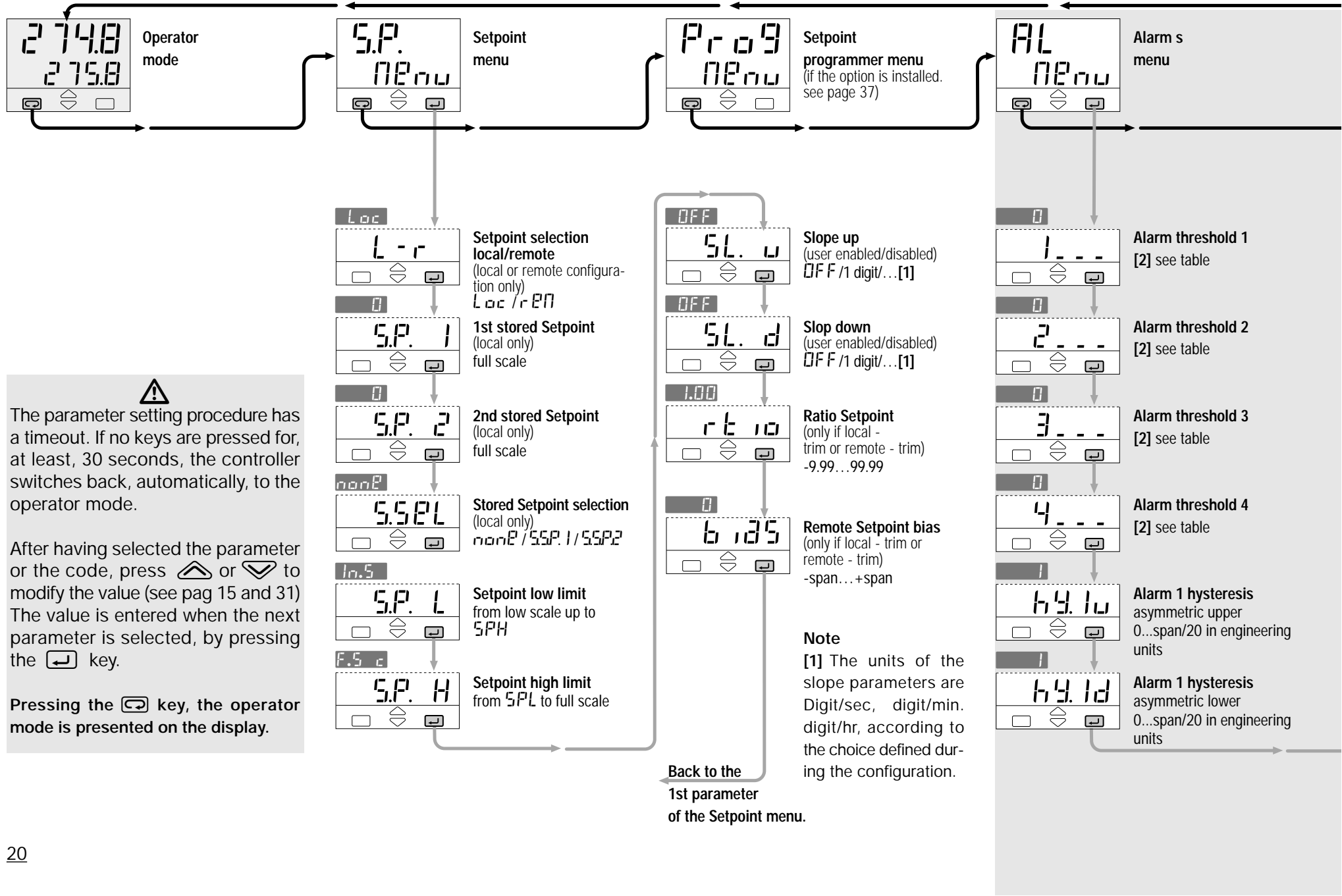
When the controller connection to the sensor is discontinued or other faults are detected in the control loop, the AL1 alarm becomes active, after a predefined time of 1 to 9999 sec., from the detection of the failure. (see page 22)

The alarm state ceases when the fault condition is no longer present.



⚠ In case of ON-OFF control, the LBA alarm is not active.

4.3 PARAMETER SETTING

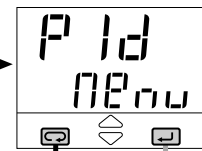


⚠
The parameter setting procedure has a timeout. If no keys are pressed for, at least, 30 seconds, the controller switches back, automatically, to the operator mode.

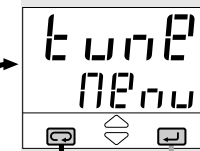
After having selected the parameter or the code, press or to modify the value (see pag 15 and 31) The value is entered when the next parameter is selected, by pressing the key.

Pressing the key, the operator mode is presented on the display.

PARAMETER MENU



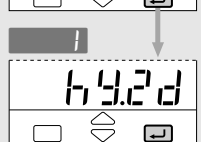
PID menu



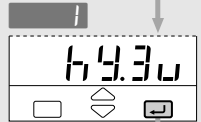
Tuning menu



Alarm 2 hysteresis asymmetric upper
0...span/20 in engineering units



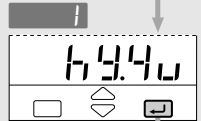
Alarm 2 hysteresis asymmetric lower
0...span/20 in engineering units



Alarm 3 hysteresis asymmetric upper
0...span/20 in engineering units



Alarm 3 hysteresis asymmetric lower
0...span/20 in engineering units

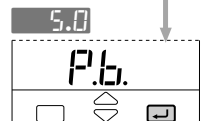


Alarm 4 hysteresis asymmetric upper
0...span/20 in engineering units

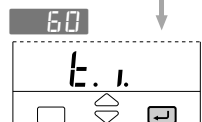


Alarm 4 hysteresis asymmetric lower
0...span/20 in engineering units

Back to the 1st parameter of the Alarms menu.



Proportional band
(PID algorithm only)
0.1...999.9 % of span



Integral time
(user enabled/disabled)
(PID algorithm only)
OFF / 1...9999 seconds

Note [2] A code, specifying the n° and the alarm type that has been configured, is displayed. At this point, the user must enter the threshold value, according to the following table.

Type and value	Mode	N° and Param.
Absolute	Active high	-FSH
	Active low	-FSL
Deviation	Active high	-dEH
	Active low	-dEL
Band full scale	Active out of band	-bnd
Load Threshold 1...100A 0.1...20A	Active high	-Htr
	Active high	ILbd
AL1 activation delay 1...9999 sec	Active high	ILbd



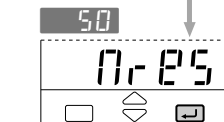
Derivative time
(user enabled/disabled)
(PID algorithm only)
OFF / 0.1...999.9 seconds



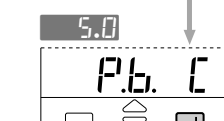
Error dead band
OFF / 0.1...10.0 digit



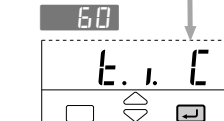
Overshoot control
(user enabled/disabled)
(PID algorithm only)
0.01...1.00



Manual reset
(user enabled/disabled)
(PID algorithm only)
OFF / 1...100% output



Proportional band Cool channel
(Heat/Cool configuration only)
0.1...999.9% full scale

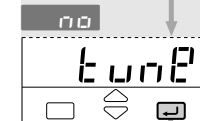


Cool Integral time
(user enabled/disabled)
(Heat/Cool configuration only)
OFF / 1...9999 seconds



Cool Derivative time
(user enabled/disabled)
(Heat/Cool configuration only)
OFF / 0.1...999.9 seconds

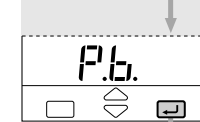
Back to the 1st parameter of the PID menu



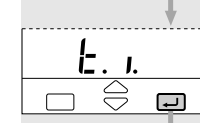
Initial Tune start
(one shot tune)
no/YES



Continuous Tune start
(adaptive tune)
(not available with set Pr Eh)
no/YES.



Calculated Proportional band [3] (display only)
(available when adaptive tune is selected)



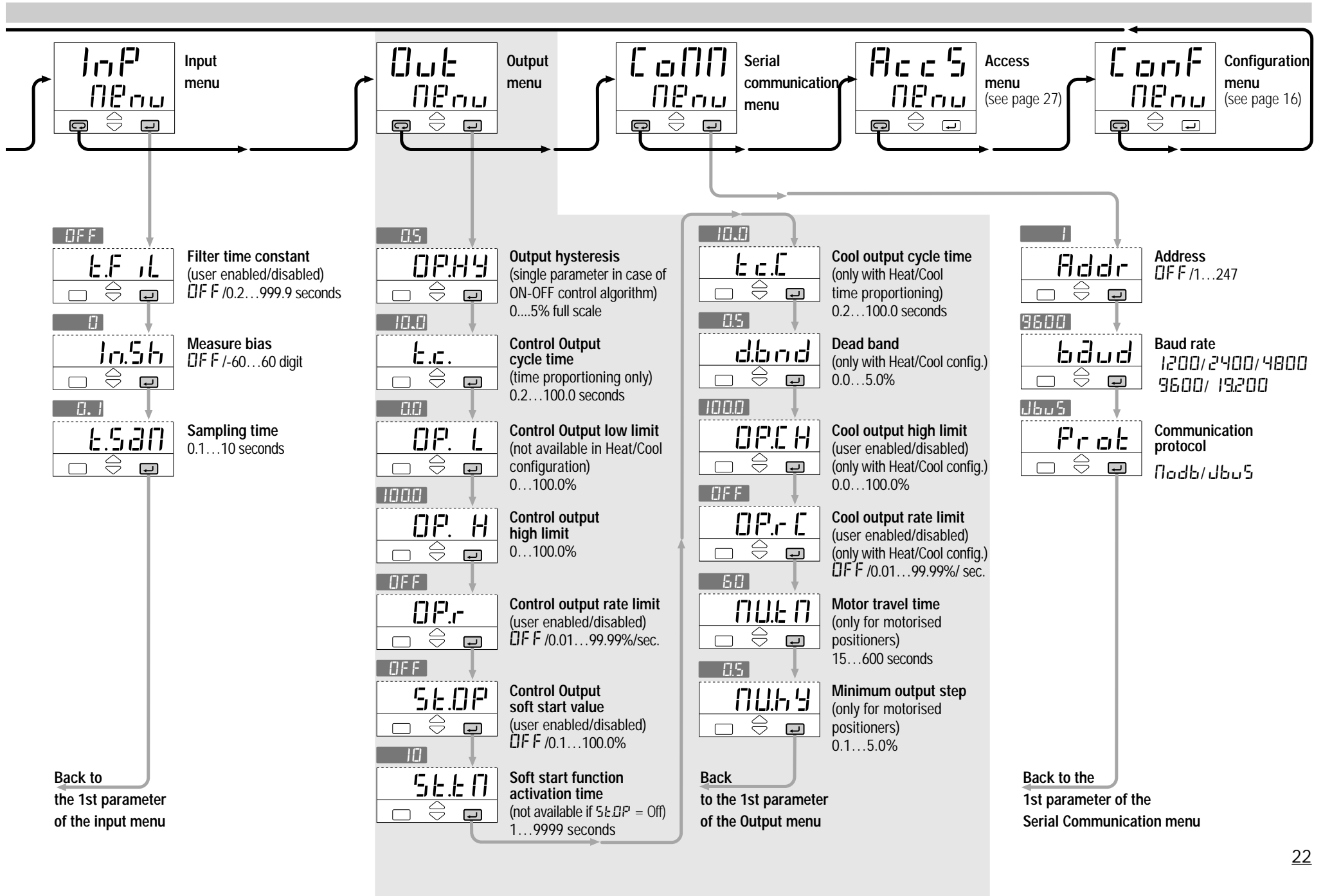
Calculated Integral time [3] (display only)
(available when adaptive tune is selected)



Calculated derivative time [3] (display only)
(available when adaptive tune is selected)

Nota [3]
These values are not automatically stored on the PID menu parameters P.b., t.i., t.d.

Back to the 1st parameter of the Tuning menu.



4.3.1 PARAMETERS

The controller parameters have been organised in group, according to their functionality area.

SETPOINT MENU

SP. 1

**1st stored
Setpoint**

SP. 2

**2nd stored
Setpoint**

Values of the two Setpoints, that are activated by mean of digital inputs, communication parameters, and keyboard. The Setpoint active is indicated by the SP1 or SP2 green led.

SP. L

**Setpoint
low limit**

SP. H

**Setpoint
high limit**

High and low limit of the Setpoint SP. The minimum span (SP 1-SP2) must be greater than 100 digit.

SL. u

**Setpoint
ramp up**

SL. d

**Setpoint
ramp down**

This parameter specifies the maximum rate of change of the Setpoint. Its units are: digit/sec., digit/min. and digit/hour.

When the parameter is OFF, this function is disabled and the new Setpoint value is reached immediately after being entered (through the keyboard, the digital inputs and the serial communication). Otherwise, the

value entered is reached according to the configured rate of change.

RT 10

**Remote
Setpoint Ratio**

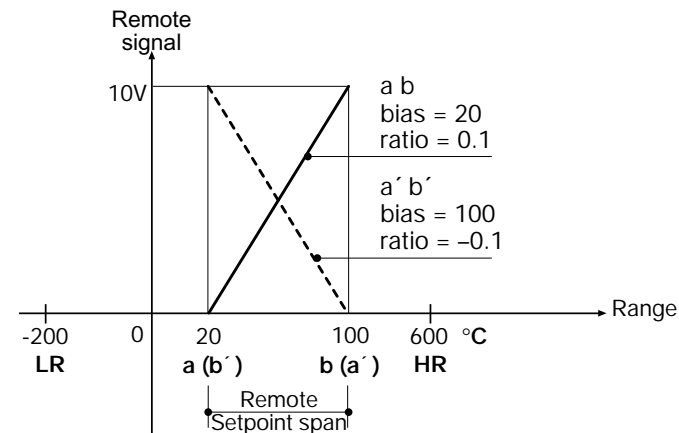
This parameter defines the maximum span of the Remote Setpoint.

b 105

**Remote
Setpoint Bias**

It defines the low range of the Remote Setpoint, in engineering units.

Remote Setpoint Bias and Ratio



PV = Process variable
 LR = PV low limit
 HR = PV high limit
 SR = Remote Setpoint
 a (a') = SR starting point
 b (b') = SR ending point

If SR starting point is **lower** then the ending point, both expressed in engineering units:

b_{set} = starting point = a

$$r_{\text{trim}} = \frac{b - a}{HR - LR}$$

Example:

$b_{\text{set}} = 20$

$r_{\text{trim}} =$

$$\frac{100 - 20}{600 - (-200)} = \frac{80}{800} = 0.1$$

If SR starting point is **higher** then the ending point, both expressed in engineering units

b_{set} = starting point = a'

$$r_{\text{trim}} = \frac{b' - a'}{HR - LR}$$

Example:

$b_{\text{set}} = 100$

$r_{\text{trim}} =$

$$\frac{20 - 100}{600 - (-200)} = \frac{-80}{800} = -0.1$$

Working Setpoint (SP) as combination of Local Setpoint (SL) and remote signal

Setpoint type *Local*

(table 3, page 18)

$$SP = SL + (r_{\text{trim}} \cdot REM) + b_{\text{set}}$$

Setpoint type *Remote*

(table 3, page 18)

$$SP = REM + (r_{\text{trim}} \cdot SL) + b_{\text{set}}$$

SIGN = Remote signal percentage

SPAN = HR-LR

$$REM = \frac{SIGN * SPAN}{100}$$

Examples:

Local Setpoint (SL) with an external Trim with multiplying coeff. of 1/10:

Setpoint type = *Local*

$r_{\text{trim}} = 0.1$

$b_{\text{set}} = 0$

Remote Setpoint (SR) with an internal Trim with multiplying coeff. of 1/5:

Setpoint type = *Remote*

$r_{\text{trim}} = 0.2$

$b_{\text{set}} = 0$

Remote Setpoint range equal to the Input range:

Setpoint type = *Local*

$r_{\text{trim}} = 1$

$b_{\text{set}} = LR$

$SL = 0$

ALARM MENU

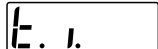
(see page 19)

PID MENU

 **Proportional Band**

 **Cool Proportional Band**

This parameter specifies the proportional band coefficient that multiplies the error (SP - PV)

 **Integral Time**

 **Cool integral Time**

It is the integral time value, that specifies the time required by the integral term to generate an output equivalent to the proportional term
When *OFF* the integral term is not included in the control algorithm.

 **Derivative Time**

 **Cool Derivative Time**

It is the derivative term coefficient that specifies the time required by the proportional term P to reach the level of D.
When *OFF* the derivative term is not included in the control algorithm.

4.3.1 PARAMETERS (cont.)

0.C. Overshoot control

(Automatically disabled when the adaptive tune is running)

This parameter specifies the span of action of the overshoot control. Setting lower values (1—>0.01) the overshoot generated by a Setpoint change is reduced. The overshoot control doesn't affect the effectiveness of the PID algorithm.

Setting 1, the overshoot control is disabled.

0.r 25 Manual reset

This term specifies the value of the control output when PV = SP, in a PD only algorithm (lack of the Integral term).

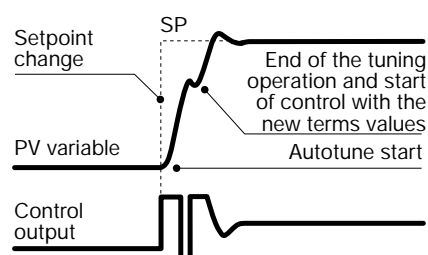
TUNING

Two tuning method are provided:

- Initial one shoot **Autotuning**
- Continuous, self learning **Adaptive Tuning**

When the **Autotuning** is started, the controller generates a rapid burst of ON - OFF transition and monitors the response, in order to calculate the optimal PID terms parameters. Once calculated the terms values are immediately used in the control algorithm. (a minimum error of 5% of span is needed to start the Autotuning)

One shot initial autotuning



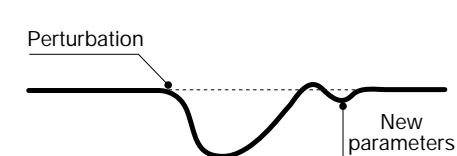
The self-learning **adaptive autotune**, is not intrusive. It doesn't affect the process, at all, during the phase of calculation of the optimal terms parameters.

It is particularly suitable for controlling process whose control characteristics change with time or are not linear in relation to the Setpoint values.

It doesn't require any operation by the user. It is simple and works fine: it samples continuously the process response to the various perturbations, determining the frequency and the amplitude of the signals. On the basis of this data and their statistical values, stored in the instrument, it modifies automatically the PID term parameters.

It is the ideal for all applications where it is required to change continuously the PID terms parameters, in order to adjust the PID to the changes of the process dynamic conditions.

Continuous adaptive tune



In case of power off with the Adaptive Tune enabled, the values of the PID terms parameters are stored, in order to be reused at the next power on.

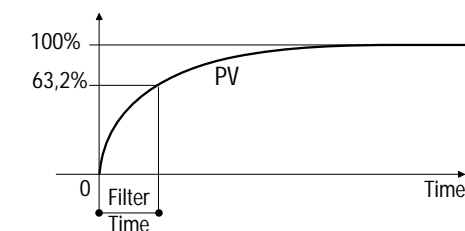
At power on the Adaptive Tune starts automatically.

INPUT MENU

E.F 1L Input filter

Time constant, in seconds, of the RC input filter on the PV input. When this parameter is **OFF** the filter is bypassed.

Filter reponse



1n.5h Measure Bias

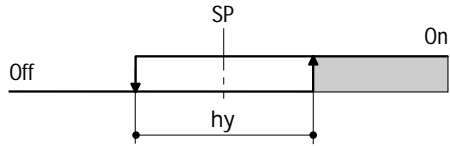
This value is added to the measured PV input value. Its effect is to shift the whole PV scale of its value (± 60 digits).

E.520. Sampling Time

Sampling time, in seconds, of the instrument. This parameter is normally used when controlling slow process, increasing the sampling time from 0.1 to 10 seconds.

OUTPUT MENU

OP.HY Control output hysteresis



Control output hysteresis span, hy, set in % of the full scale.

OP.L Control output low limit

OP.H Control output high limit

It's the cycle time of the time proportioning control output. The PID control output is provided by the pulse width modulation of the waveform.

OP.L Control Output low limit

It specifies the minimum value of the control output signal. It is applied in manual mode, too.

OP.H Control output high limit

OP.LH Cool output high limit

It specifies the maximum value the control output can be set. It is applied in manual mode, too.

OP.r Heat output maximum rate

OP.rC Cool output maximum rate

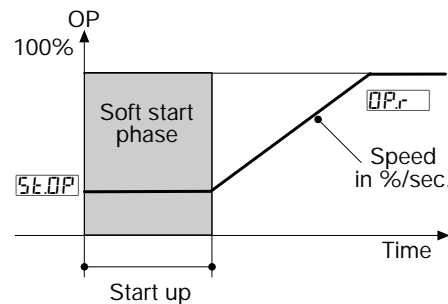
This value, specified in %/seconds, with range from 0.01 to 99.99%/sec. provides the maximum rate of change of the output. When set to *OFF* this function is disabled.

SE.OP Soft start of the control output

It specifies the value at which the control output is set during the start up phase.

SE.TN Soft start time

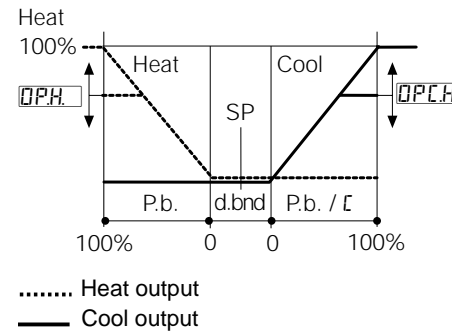
This value specifies the time the start up phase lasts. The start up phase starts at power up of the controller.



d.bnd Heat/Cool deadband

This parameter specifies the width of the deadband between the Cool and the Heat channel

Heat / Cool algorithm



TR.TN Travel time

It provides the time required to the motor positioner to go from the 0% position to 100%

TR.HY Minimum step

It specifies the minimum allowed time of activation of the output to a motor positioner that produces a sensible effect. It is related to the deadband of the positioner

SERIAL COMMUNICATION MENU

Addr Controller address

The address range is from 1 to 247 and must be unique for each controller on the communication bus to the supervisor. When set to *OFF* the controller is not communicating

baud Baud rate

It provides the baud rate in the range from 1200 to 19.200 bit/sec.

Prot Communication protocol
Modb/rtu5

This Slave protocol allows the supervisor to read and write (when it is possible) all the parameters of the controller.

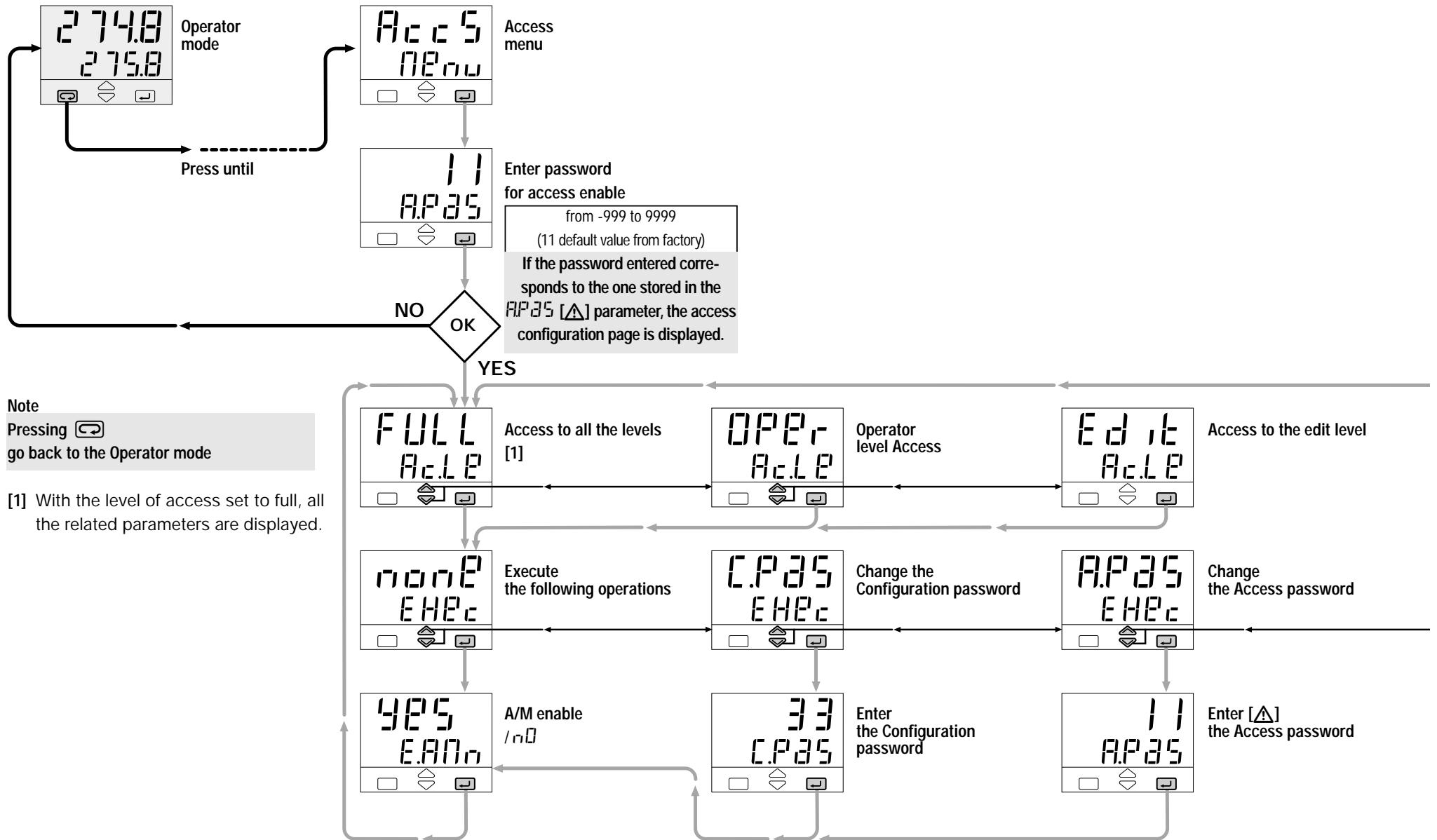
ACCESS MENU

(see page 27)

CONFIGURATION MENU

(see page 16)



4.4 ACCESS LEVEL - PASSWORD - CALIBRATION





4.4 ACCESS LEVELS PASSWORD CALIBRATION

With the access level Edit, the user defines which groups and parameters are accessible to the operator

After selecting and confirming the access level Edit, enter in the parameters menu. The code of the access level is displayed on the front panel.

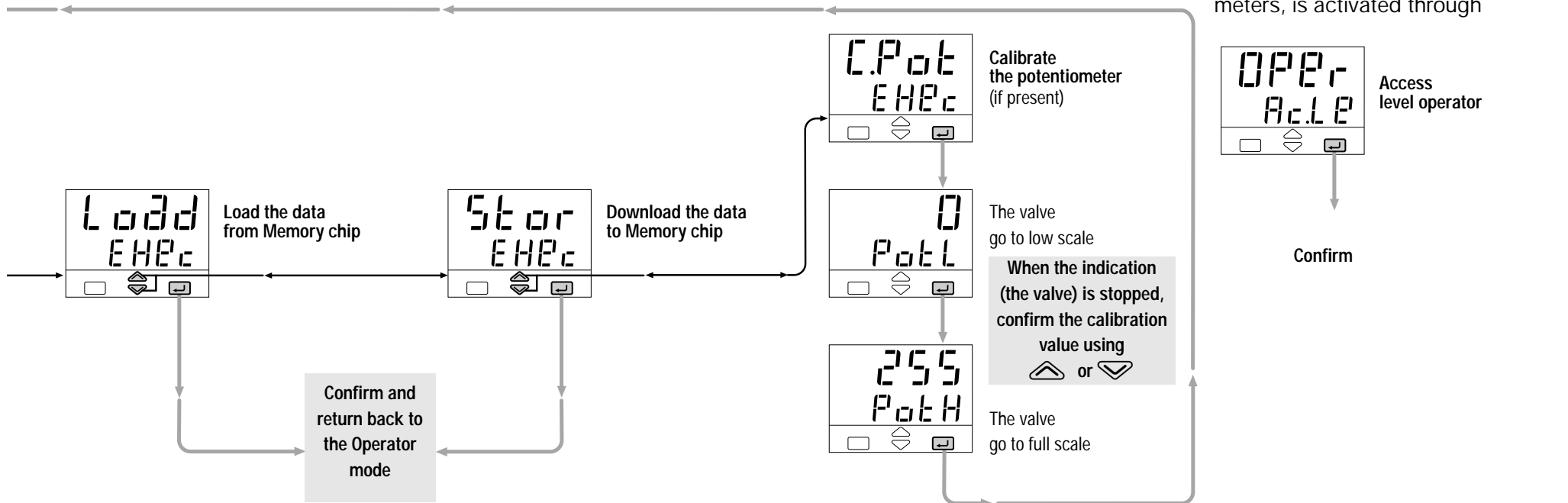
Press the  and  keys to select the proper level.

Group of parameters	Code	Access level
	rEd	Visible
	HidE	Not visible
Parameters	Code	Access level
	AlEr	Visible and changeable
	FaSt	Included in "Fast view"
	rEd	Visible only
	HidE	Not visible and not changeable

The parameters in the access level *Fast* are recalled on the front panel through the procedure of fast parameter access illustrated in par. 5.2 pag 29. The maximum number of fast parameters is 10.

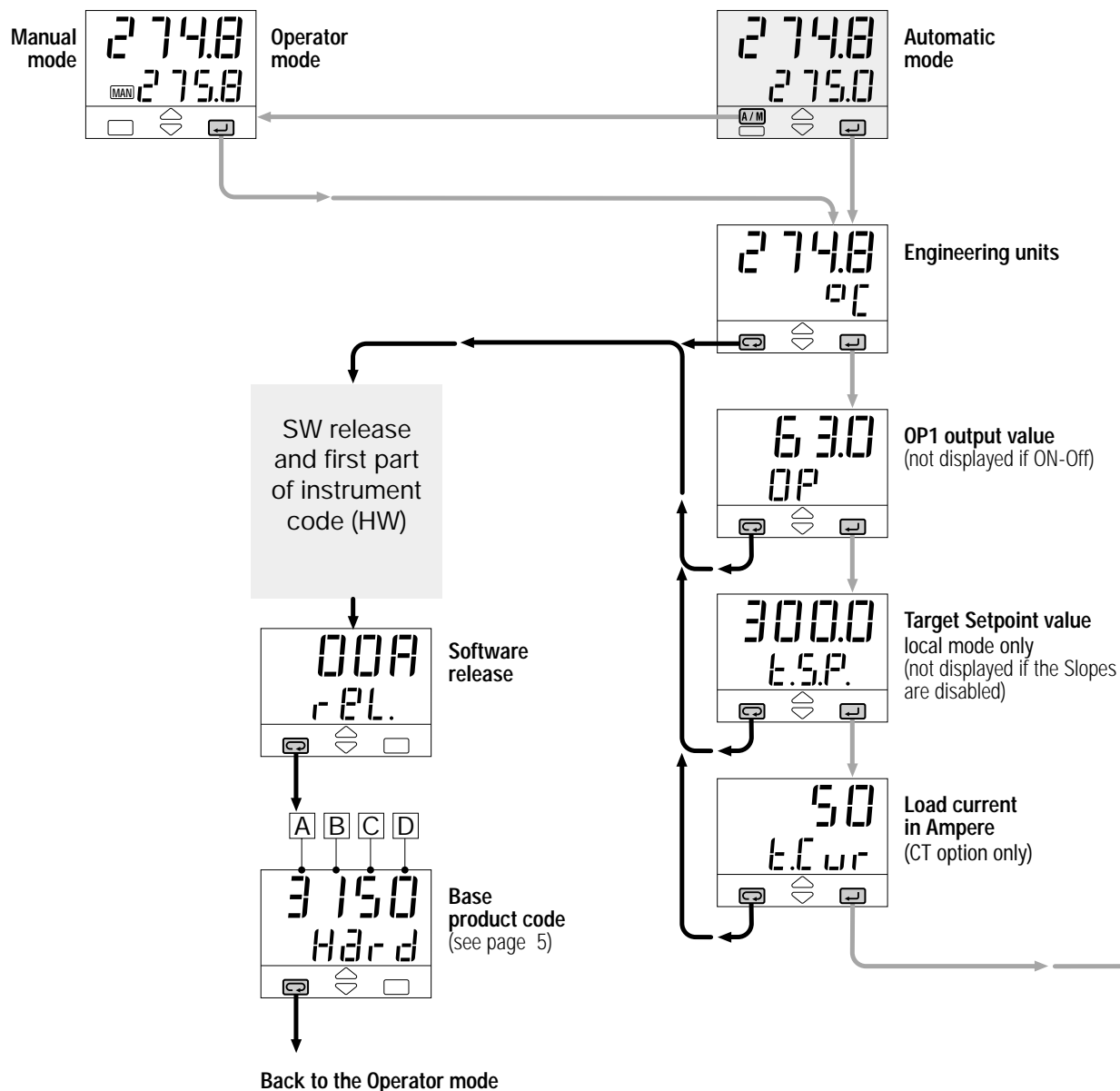
At the end of the parameter list of the selected group, the controller quits from the Edit access level. **Therefore, the Edit level must be selected for each group of parameters**

The access level of groups and parameters, is activated through



DISPLAYS

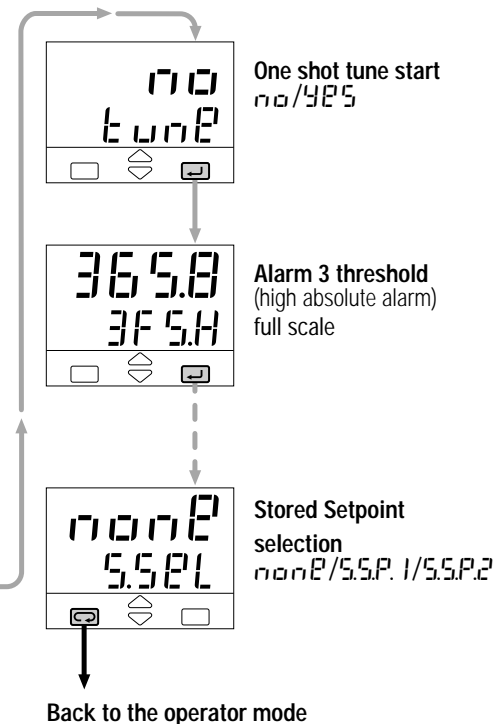
5.1 STANDARD DISPLAY



5.2 FAST VIEW (fast access to the parameters)

With this procedure, simple and fast, up to 10 parameters, selected through the fast view (see par 4.4 page 28) are displayed and can be modified by the operator without requiring the standard parameter setting procedure. Press \uparrow \downarrow in order to modify the parameters. The value is entered by pressing \rightarrow key.

Example of common parameters included in the fast view (fast access)



6 **COMMANDS****COMMANDS TO THE CONTROLLER AND OPERATING PHASES**

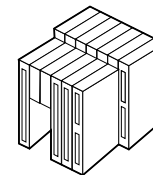
The commands can be entered
in 3 ways:

**6.1 KEYBOARD**

- Setpoint modification (page 31)
- local/remote selection (page 31)
- stored Setpoint display (page 31)
- manual mode (page 32)
- tuning start (page 32)
- programmer stop (page 38)

6.2 DIGITAL INPUTS

see page 33

**6.3 SERIAL COMMUNICATIONS**

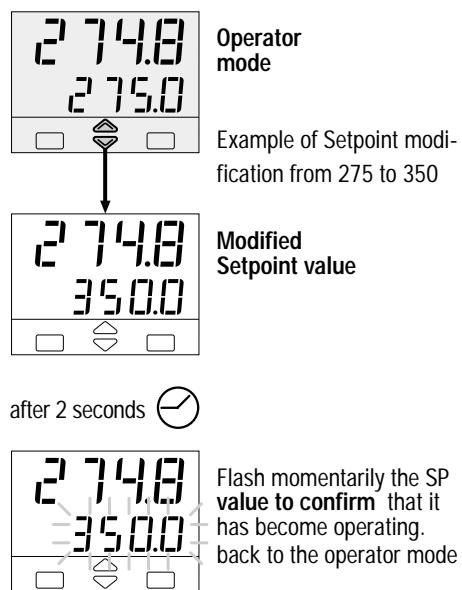
see the manual on this topic



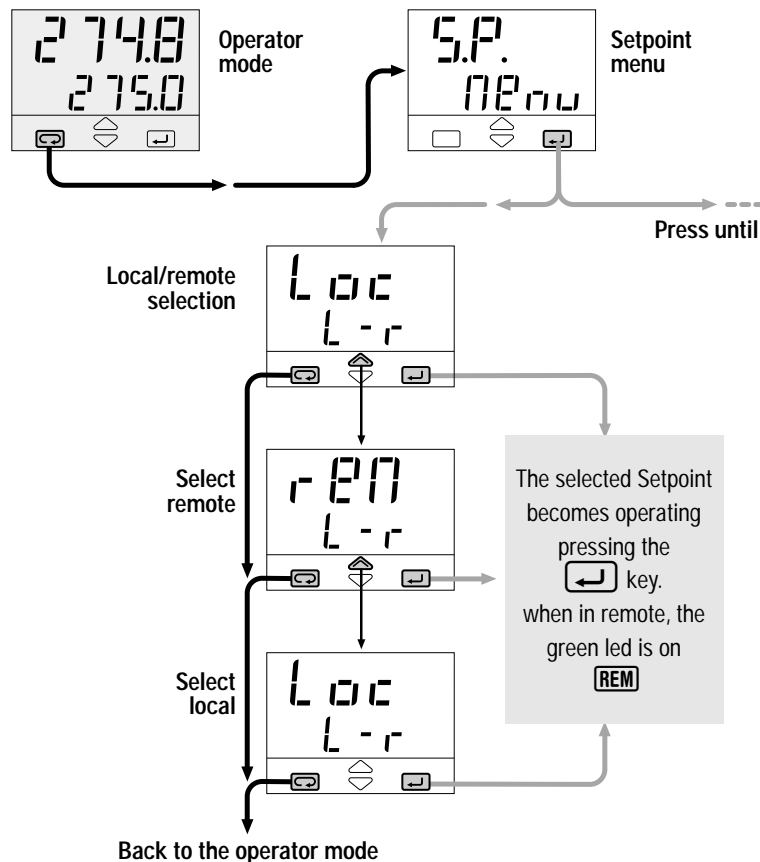
6.1 KEYBOARD COMMANDS

A. SETPOINT MODIFICATION

The Setpoint is directly modified with the keys. Once entered, the new value is checked and becomes operating after 2 seconds.. The end of this phase is flagged by flashing momentarily the display with SP.

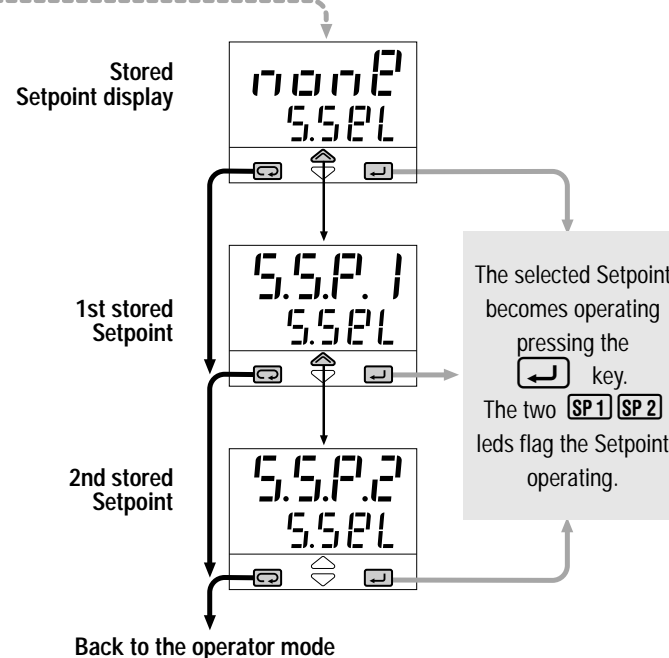


B. LOCAL/REMOTE



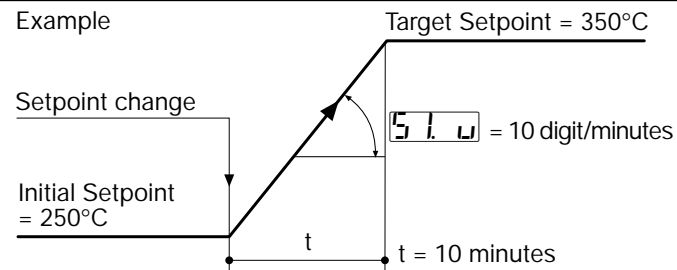
C. STORED SETPOINTS SELECTION

The Setpoint is directly modified with the keys. Once entered, the new value is checked and becomes operating after 2 seconds.. This phase is flagged by flashing momentarily the display with SP.

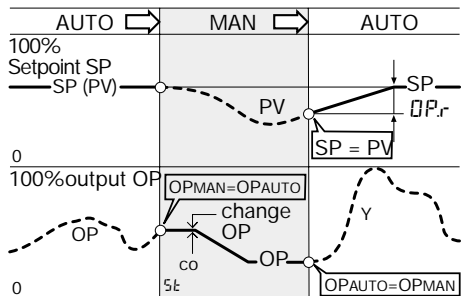
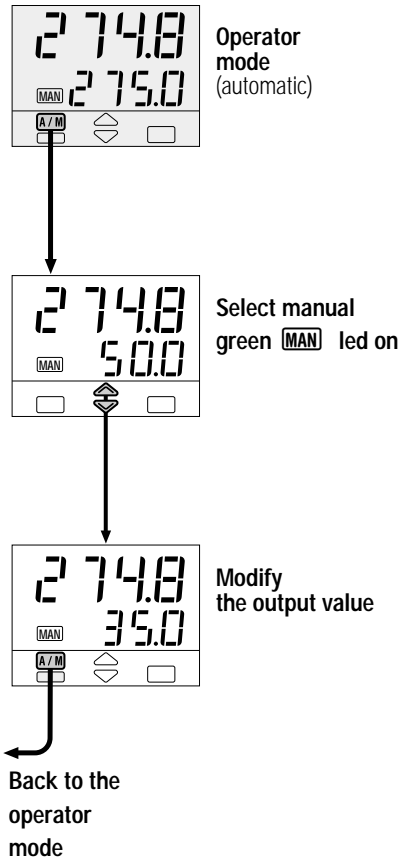


Note: When the Setpoint value is changed, the entered value is reached with a maximum rate set by the ramp up and ramp down, parameter. This applies to all the models and in all the operating modes. It is suggested to set and to OFF when the remote Setpoint is operating. The entered Setpoint is defined as target Setpoint. It is displayed in the function menu at the parameter *t. - S.P.*

If the slope parameter is set to zero the Setpoint variation occurs instantaneously.



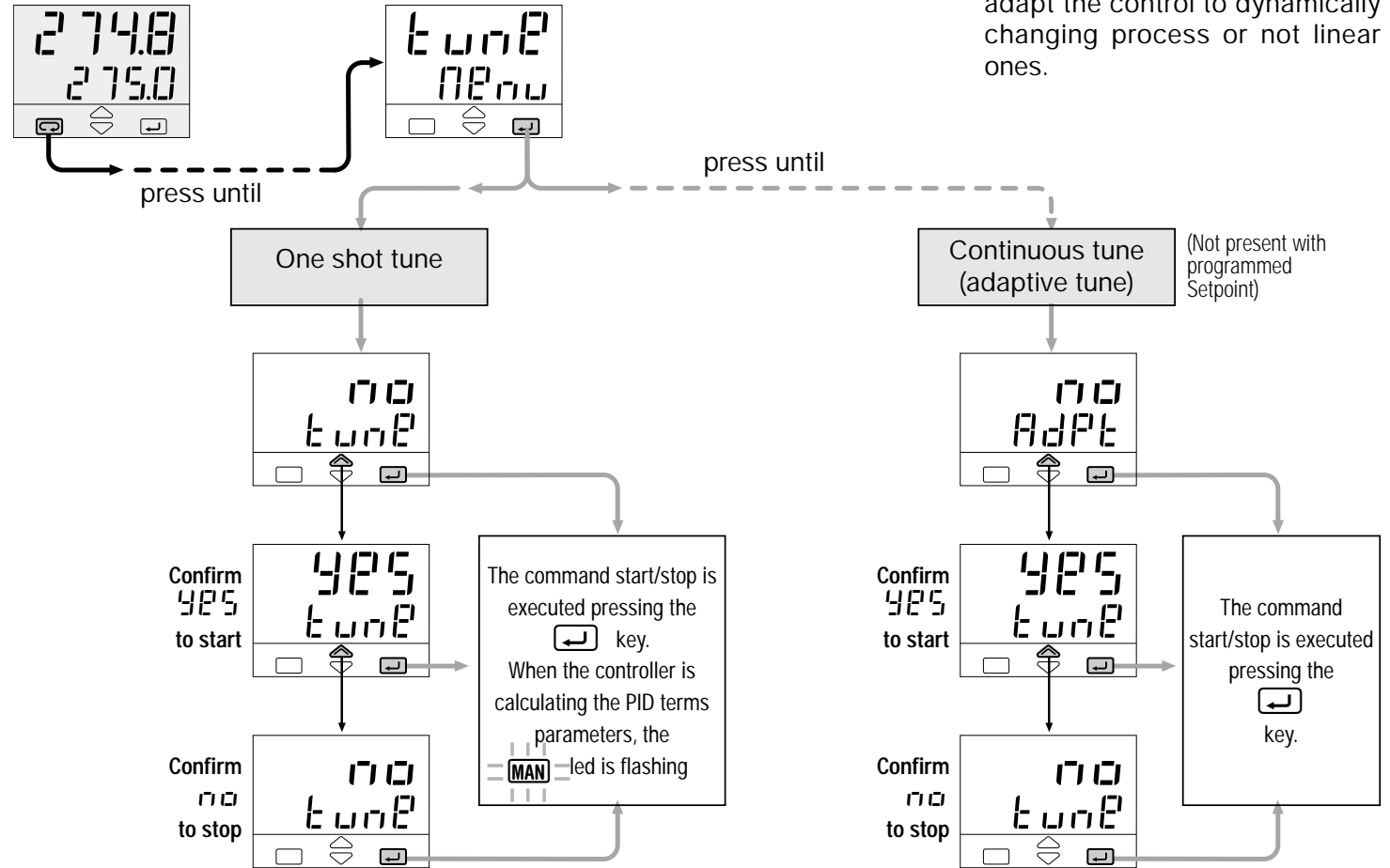
6.1.2 AUTO/MANUAL MODE



6.1.3 TUNING

This controller is provided with 2 different Tuning algorithm

- One shot tune for calculating the optimal PID terms parameters.
- Continuous tuning (adaptive tune) for a continuous calculation of the PID terms parameters in order to adapt the control to dynamically changing process or not linear ones.



After the execution of the tuning, the calculated values are automatically presented in the PID menu.

When this function is in progress, the calculated values are visible in the Tuning menu but cannot be modified. (see page 21)

6.2 DIGITAL INPUT COMMANDS

A function is assigned, through the configuration procedure to each IL1 and IL2 digital input. (see the parameters setting at tab 8 at pag 17). The configured function is activated when the digital input (free voltage contact or open collector output) is in the On state . It is deactivated by setting the input to the Off state. The activation of the function through the digital input has the highest priority than through the keyboard or through the serial communication.

Function		Parameter value	Performed operation		Note
			Off	On	
None		none	—	—	Not used
Set manual mode		MAN	Automatic	Manual	
Keypad lock		EEP.1	Unlock	Locked	With the keypad locked the commands from digital inputs and serial communication are still operating
PV measure hold		HPU	Normal operation	PV is hold	The value of PV is “frozen” at the time the digital input goes to the close state
Setpoint slopes inhibition		SL o.1	Rate limiting is active	Normal operation	When the input is in the on state, the Setpoint is changed in steps
Standard Setpoint	1st stored Setpoint	SP.1	Local	1st SP	If more than one digital input is selecting a Setpoint, the last to be activated is the one operating.
	2nd stored Setpoint	SP.2	Local	2nd SP	
	Remote Setpoint	L-r.	Local	Remote	
Programmed Setpoint	Start/stop of a program	H-r.		Hold/Run	The status (RUN/HOLD) changes every time the digital input switches from Off to On.

7 PROGRAMMED SETPOINT

INTRODUCTION

The controller supplied with the Setpoint programmer option (mod. M5-3... 1) offers, in alternative to the adaptive tuning, the functionality to define, store, display and execute a program consisting in the Setpoint profile in time.

MAIN CHARACTERISTICS

- 1 program, 16 segments/program
- start, stop, hold etc, commands from the keyboard
- time base in seconds, minutes or hours
- continuous or up to 1...9999 time cycling of the program
- 1 OP3 digital output with the state profile defined by the program
- setting of the maximum allowed deviation from the Setpoint

7.1 PROGRAM STRUCTURE

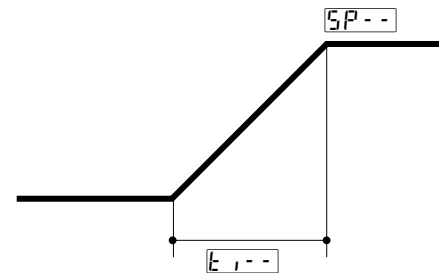
The program consists of a sequence of segments.

For each segment, it is specified:

- the Setpoint to reach $S.P.$
 - the duration of the segment E_i
 - the state of the OP3 output
- } always present

The program consists of:

- 1 initial segment named I
- 1 end segment named F
- 1...14 normal segments



Initial segment

Its main purpose is to define the value the process variable has to maintain before starting the program.

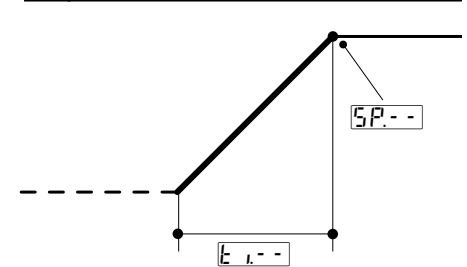
End segment

Its main purpose is to define the value the process variable has to maintain at the end of the program and until further changes of Setpoint.

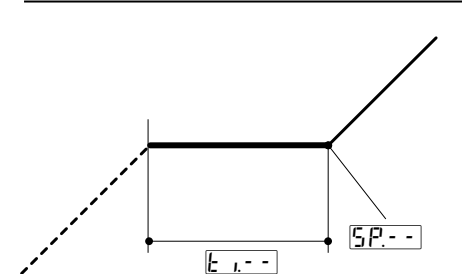
Normal segments

These segments build up the profile program. There are 3 types of segments:

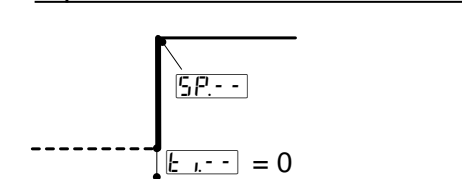
Ramp



Dwell

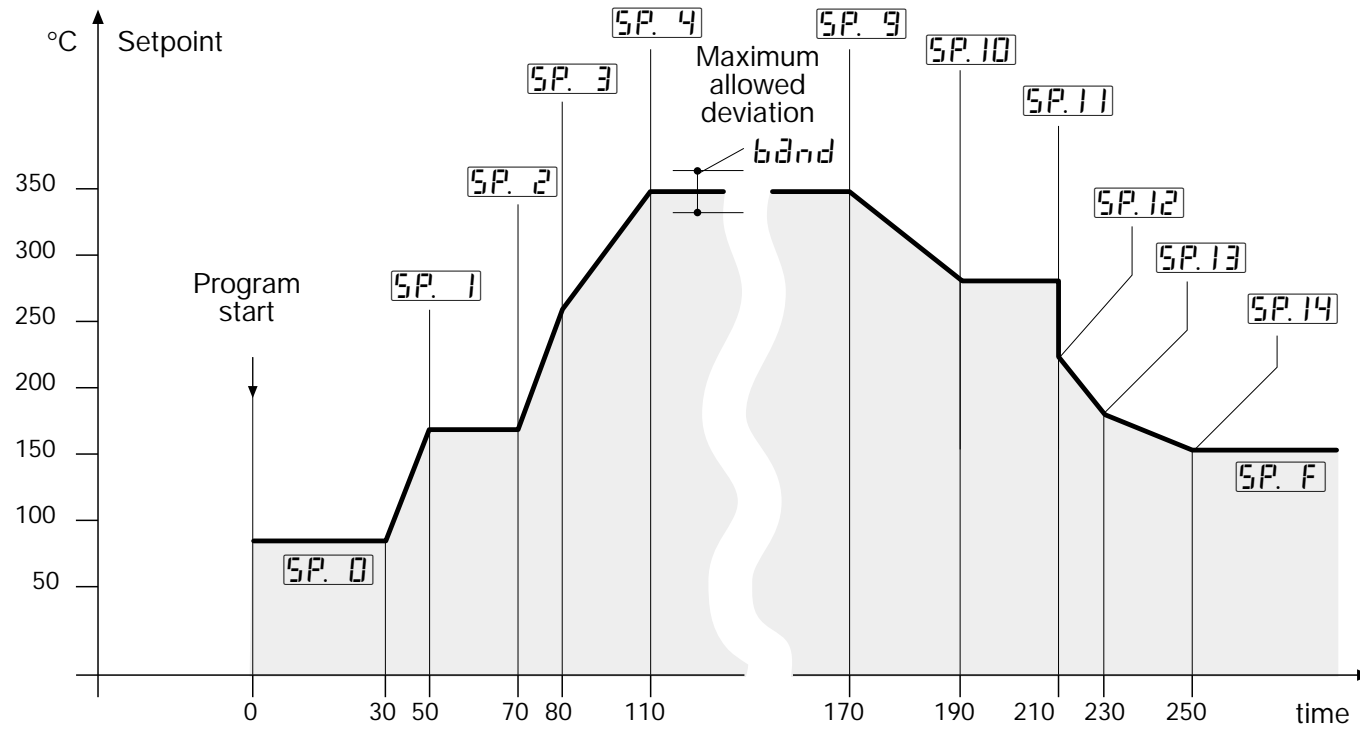


Step



- $S.P.$ = Target setpoint
- E_i = Duration
- = Previous segment
- = Current segment
- = Next segment

EXAMPLE OF SETPOINT PROFILE



Segment	Initial	1°	2°	3°	4°	5°	9°	10°	11°/12°	13°	14°	End
Time	t0	t1	t2	t3	t4	t5	t9	t10	t11/t12	t13	t14	
OP3 Digital Output	Cl	OP	OP	OP	OP	OP	OP	OP	OP	OP	OP	OP

The OP3 digital output state, during the segments, is defined in the program

Cl contact close (On)

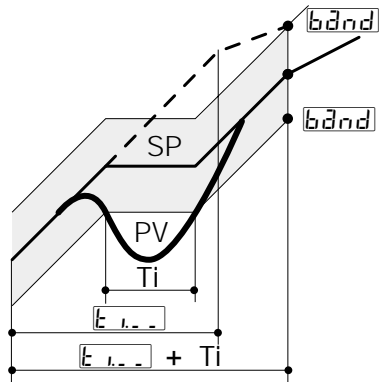
OP contact open (Off)

7.2 SETPOINT PROGRAMMER OPERATION

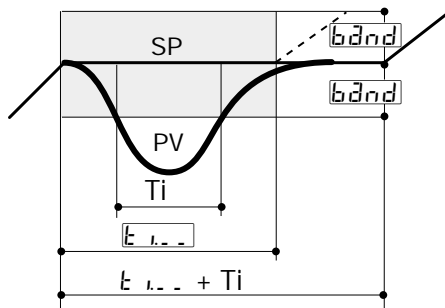
7.2.1 MAXIMUM ALLOWED DEVIATION (*band*)

If the PV controlled input value exceeds the band, centred around the SP, the segment time is extended of the same time the PV input stays out of the band. The band width is defined in a parameter of the program segment. The actual segment period is calculated as $t_{seg} + Ti$

A. Ramp



B. Dwell



7.2.2 RE-START OF A PROGRAM AFTER A POWER FAILURE

The parameter *FdL* specifies the behaviour of the programmer at power up (see pag.37). Selected between the following 3 choices:

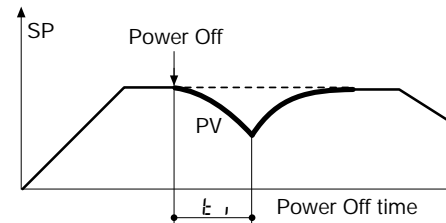
Cont Continue

res Reset

ramp Ramp

If *Cont* is selected, the execution of the program starts from the point reached at the power failure time.

All the parameters, like Setpoint and the remaining time are restored at the values they had at power off.



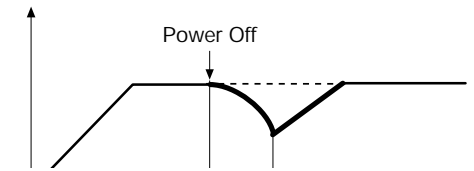
If *res* is selected, at power on the program ends and goes back to local mode.

If *ramp* is selected, the execution of the program starts from the point reached at the power failure time.

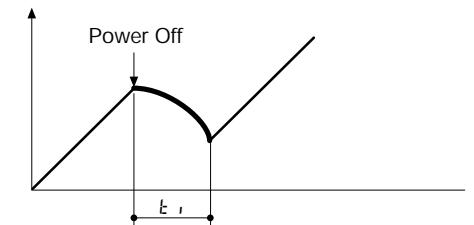
In this case, the programs continue with PV reaching SV with a ramp, whose slope corresponds to the one of the segment running at the power off.

The drawing below illustrates the situation.

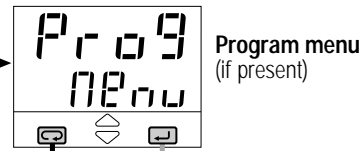
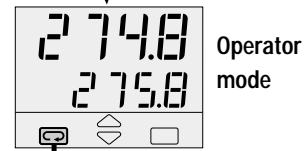
Power off during a dwell



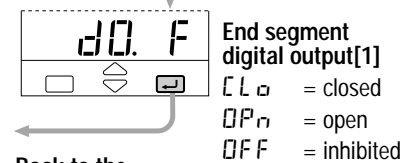
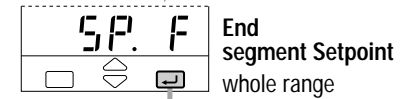
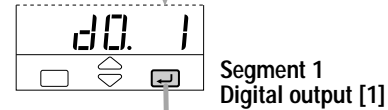
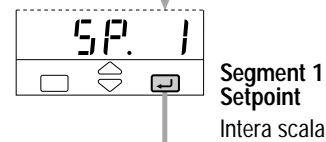
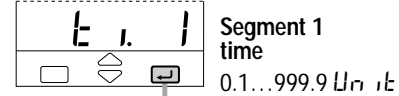
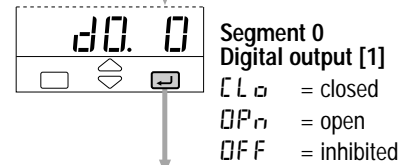
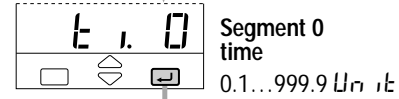
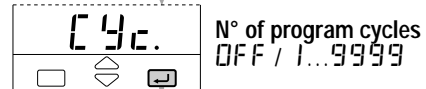
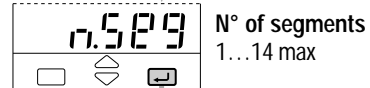
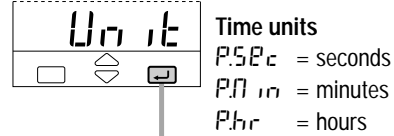
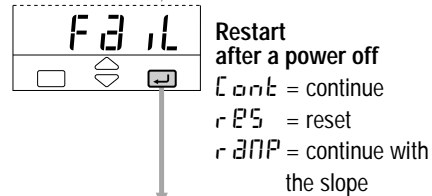
Power off during a ramp



7.3 CREATION AND MODIFICATION OF A PROG.



PARAMETER MENU



Back to the 1st parameter

Continue for all the 14 normal segments

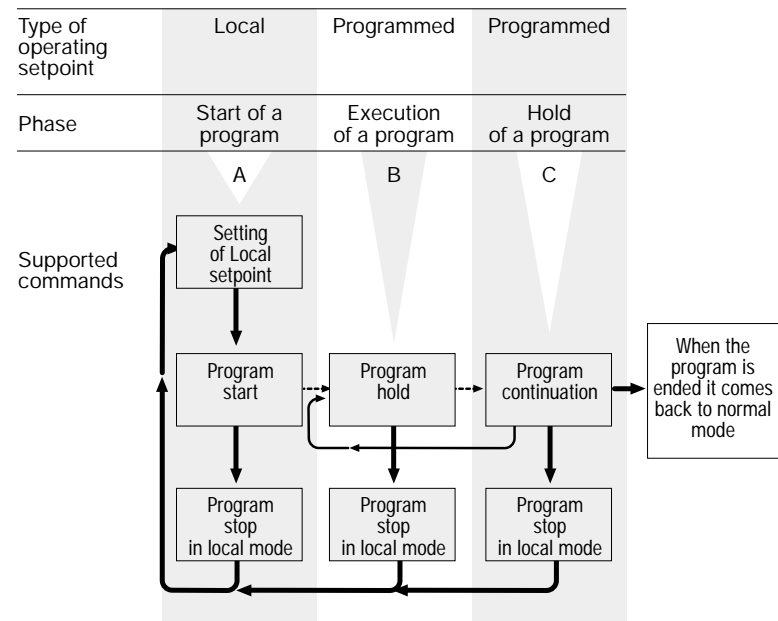
[1] One digital output is provided which can be controlled by the program. This output is OP3. If this functionality is not required, it can be inhibited by setting *OFF* the parameter **dO. . .**

7.4 START/STOP OF A PROGRAM

The various commands, supported by the controller, are different for each of the following operating phases:

- A] when in Local Setpoint mode
- B] during the execution of a program
- C] when the program is in hold

Commands supported by the controllers



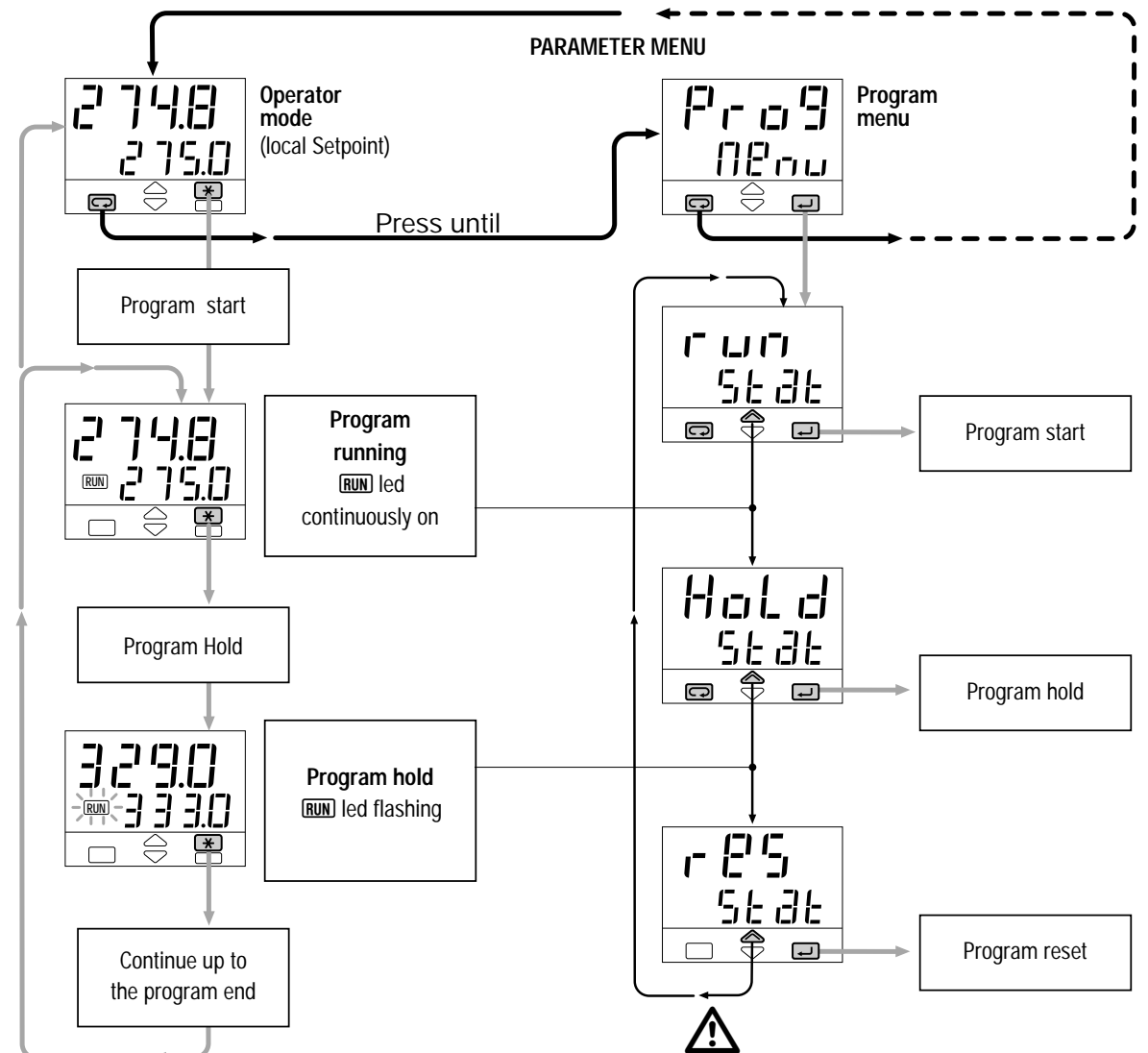
The different phase are displayed in a chained way, just for easing the understanding of the functionality.

Two different mode for starting and stopping a program are provided:

direct mode with the **[*]** key
 through the parameter menu

DIRECT MODE WITH

THROUGH THE PARAMETER MENU



The **[RUN]** green led is flashed at high rate when the controlled variable is out of the allowed deviation band
 The current time of a segment is hold up to the time the variable re-enter in the band.

8 TECHNICAL SPECIFICATIONS

Features at 25 °C env. temp.	Description			
Total configurability	The choices are: input type, operating mode, type of control, safety strategies, alarm strategies			
Operating modes	1 loop with single/double output			
	1 loop as the latter with the addition of the Setpoint programmer			
Control mode	Algorithm	PID with overshoot control or On-off		
		PID with velocity algorithm, for controlling motorised positioners		
	Proportional band (P)	0.1...999.9%		
	Integral time (I)	1...9999 sec.	(user enabled/disabled)	PID control
	Derivative time (D)	0.1...999.9 sec.		
	Error band	0.1...10.0 digit		
	Manual reset	1...100% output	(user enabled/disabled)	Time proportioning control
	Cycle time	0.2...100.0 sec.		Discontinuous control
	Hysteresis	0.1...5.0%		ON-Off control
	Dead band	0.0...5.0%		(user enabled/disabled)
	Cool proportional band	0.1...999.9%		
	Cool Integral time	1...9999 sec.		
	Cool Derivative time	0.1...999.9 sec.		
	Cool cycle time	0.2...100.0 sec.		
	Motor travel time	15...600 sec.		Motorised positioner
Motor minimum step	0.1...5.0%			
Feedback potentiometer	100Ω...10KΩ			
PV input (see table 1 page 18 for the signal ranges)	Common characteristics	A/D converter with resolution of 160.000 points Update measurement time: 50 ms Sampling time (max update time of the output) : 0.1...10.0 sec. configurable Input bias: - 60...+ 60 digit Input filter with enable/disable 0.1...999.9 sec.		
	Accuracy	0.25% ± 1 digits for temperature sensors 0.1% ± 1 digits (for mV and mA)	Between 100...240V~ the error is minimal	

8 - Technical Specifications

Features at 25 °C env. temp.	Description		
PV input	Resistance thermometer (for ΔT: R1+ R2 must be <320Ω)	Pt100Ω a 0°C (IEC 751) °C/°F selectable	2 or 3 wires or 2 Pt100 for ΔT
	Thermocouple	L,J,T,K,R,S (IEC 548) °C/°F selectable	Internal cold junction compensation
	DC input (current)	0/4...20mA Rj = 30Ω	Engineering units Configurable decimal point position with or without √ Initial scale.: - 999...9999 Full scale.: -999...9999 (minimum range of 100 digits)
	DC input (voltage)	0...50 mV Rj = 10MΩ 1-5/0-5/0-10V Rj = 10KΩ	
Auxiliary inputs (options)	Remote Setpoint Not isolated accuracy 0.1%	Current 0/4...20mA Rj = 30Ω	Bias in engineering units and ± range
		Voltage 1-5/0-5/0-10V Rj = 300KΩ	Ratio from -9.99...+99.99 Local + Remote Setpoint
	CT current transformer	max span 50 or 100 mA hdw selectable	Display from 10 to 200 A resolution of 1A with alarm threshold (Heater break alarm)
	Potentiometer	100Ω...10KΩ supply 300mV	Position feedback measurement
Digital inputs	2 logic	The closure of the external contact produces any of the following actions:	Auto/Man mode change, Local/Remote Setpoint mode change, Stored Setpoints activation, keypad lock, measure hold and slopes inhibit. Start, stop, hold of a program (only with Setpoint programmer)
Control output (cont.)	Single or double channel, direct or reverse action		
	Minimum limit	0...100.0% (OP1 heat)	
	Maximum limit	0...100.0% (OP1 heat), -100.0...0% (OP2 cool)	

Features at 25 °C env. temp.	Description				
Control output	Maximum slope	0.01...99.99%/sec. up and down			
	Safety value	-100...100% . (user enabled/disabled)			
	Time proportioning	Relays	NO 2A/250V~ resistive loads		
		Triac	1A/250V~ resistive loads		
		SSR drive	0...22V-, 20mA max (for static switches)		
	Analogue	Current	0/4...20mA max 750Ω/10V max	Galvanic insulation 500V~/1min. Resol.: 12 bit (0.025%) Accur. 0.1%. Short circuit protection	
		Voltage	0...1/5/10V 500Ω / 20mA max		
Motor positioner (3 states) Raise - Stop - Lower	Double action 2 poles NO, 2A/250V~ resistive load				
Alarms	SPST NO, 2A/250V~ resistive load Hysteresis 0.1...5.0% symmetrical				
	Actions	Active high	Action type	Deviation threshold	± range
				Band width	0...range
		Active low		Absolute threshold	Whole scale
	Special functions	Heater Break detection			
		Loop Break Alarm			
		Activation inhibit (blocking)			
Acknowledge (latching)					
Related to the program (optional) (OP3)					
OP4 analogue output (optional)	Galvanic insulated: 500 V~/1min. Resolution: 12 bit (0.025%) Accuracy: 0.1% . Short circuit protected		Current 0/4...20mA 750Ω/10V max	Retransmission of PV or SP	
			Voltage 1-5/0-5/0-10V 500Ω/20mA max		
Setpoint	Ramp up and down, with slope in digit/sec., digit/minute or digit/hour between 0.0...10.0% of the range High and low limits		Local plus 2 stored Setpoints		
			Only Remote		
			Local and Remote		
			Local with trim		
			Remote with trim		
		Time programmable (optional)			

8 - Technical Specifications

Features at 25 °C env. temp.	Description	
Programmable Setpoint (optional)	1 program, 16 segments (1 initial and 1 end) From 1 to 9999 cycles or continuous cycling (FFF) Time values in seconds, minutes and hours Start, stop, hold, etc. activated from the keyboard, digital input and serial communications.	
Tuning	One shot Tune- step response method for calculating the PID terms parameters Adaptive Tune self-learning, not intrusive, analysis of the process response to perturbations and continuously calculation of the PID parameters (not available with the Setpoint Programmer option)	
Auto/Manual station	Integrated in the controller, bumpless Operated from keyboard, digital input and serial communication.	
Serial com. (optional)	RS485 isolated, Modbus-Jbus, 1200, 2400, 4800, 9600, 19200 bit/sec., 2 wires	
Auxil. supply	18V- ± 20%, 30mA max for transmitters (2, 3, 4 wires)	
Operational safety	Measure input	Detection of out of range, short circuit or sensor break with automatic activation of the safety strategies and alerts on display
	Control output	Safety value: -100...+100%. (user enabled/disabled)
	Parameters	Parameters and configuration data are stored in a non volatile memory for an unlimited time. They are organised in functionally homogeneous groups, like: visible and changeable, visible and not changeable, not visible.
	Access protection	Password to access the configuration data and the parameter protection menu
General characteristics	Supply	100 - 240V~ (- 15% + 10%) 50/60Hz or 24V~ (- 25% + 12%) 50/60Hz and 24V- (- 15% + 25%) power consumption 3W max
	Electric safety	Compliance to EN61010, installation class 2 (2500V) pollution class 2
	Electromagnetic compatibility	Compliance to the CE standards for industrial system and equipment
	UL and cUL Omologation	File E176452
	Protection EN650529	IP20 termination unit, IP65 front panel
Dimensions	1/16 DIN - 48 x 48, depth 150 mm, weight 230 gr. apx.	

■ WARRANTY

We warrant that the products will be free from defects in material and workmanship for 3 years from the date of delivery.

The warranty above shall not apply for any failure caused by the use of the product not in line with the instructions reported on this manual.

ASCON'S WORLDWIDE SALES NETWORK

SUBSIDIARY

FRANCE

ASCON FRANCE

Phone 0033 1 64 30 62 62

Fax 0033 1 64 30 84 98

AGENCE SUD-EST

Phone 0033 4 74 27 82 81

Fax 0033 4 74 27 81 71

DISTRIBUTORS

ARGENTINA

MEDITECNA S.R.L.

Phone +5411 4585 7005

Fax +5411 4585 3434

AUSTRALIA

IPA INDUSTRIAL PYROMETER

(AUST) PYV.LTD

Phone +61 8 8352 3688

Fax +61 8 8352 2873

FINLAND & ESTONIA

TIM-TOOL OY

Phone +358 50 501 2000

Fax +358 9 50 55 144

GERMANY

MESA INDUSTRIE ELEKTRONIK GMBH

Phone +49 2365 915 220

Fax +49 2365 915 225

GREECE

CONTROL SYSTEM

Phone +30 31 521 055-6

Fax +30 31 515 495

BRANCH OFFICE

Phone +30 1 646 6276

Fax +30 1 646 6862

HOLLAND

HSD INSTRUMENTS

Phone +31 78 617 03 55

Fax +31 78 618 26 68

PORTUGAL

REGUIPAMENTOS LDA

Phone +351 21 989 0738

Fax +351 21 989 0739

SPAIN

INTERBIL S.L.

Phone +34 94 453 50 78

Fax +34 94 453 51 45

BRANCH OFFICE

Phone +34 93 311 98 11

Fax +34 93 311 93 65

Phone +34 91 656 04 71

Fax +34 91 677 21 26

SWITZERLAND

CONTROLTHERM GMBH

Phone +41 1 954 37 77

Fax +41 1 954 37 78

TURKEY

KONTROL SISTEMLERI LTD

Phone +90 216 302 19 70-71

Fax +90 216 302 19 72

UNITED KINGDOM

EUKERO CONTROLS LTD

Phone +44 20 8568 4664

Fax +44 20 8568 4115